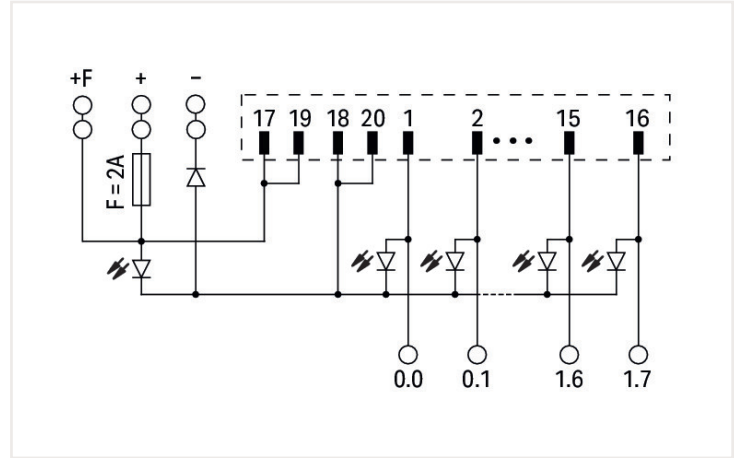
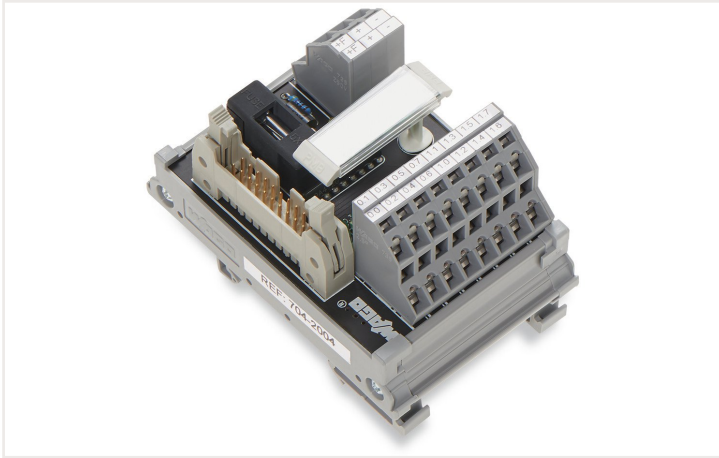


Data sheet | Item number: 704-2004

Interface module for system wiring; Pluggable connector per DIN 41651; Male connector; 20-pole; 16-channel digital input or output; 1-wire connection; in mounting carrier



Electrical data

| | |
|---|--|
| Inputs/outputs | 16-channel digital input or output |
| Circuit type | 1-wire connection |
| Nominal operating voltage | DC 24 V |
| Operating voltage range | ±10 % |
| Current consumption (status indication) | 5 mA |
| Total current | 2 A |
| Limiting continuous current | 1 A |
| Status indicator | Green LED (channel) Yellow LED (power supply) |
| Internal fuse | 2 A |

Safety and protection

| | |
|---------------------|--------|
| Rated voltage | 50 V |
| Rated surge voltage | 0.8 kV |
| Pollution degree | 2 |

Connection data

Compatible PLC models

WAGO I/O System 750
WAGO I/O System 753
Omron CJ1W
Rockwell Compact Logix
Rockwell Control Logix
Schneider Modicon Quantum
Schneider Modicon M340
Schneider Twido
Schneider TSX
Schneider Modicon TM3
GE Fanuc RX3i
GE Fanuc 9030
Siemens S7-1500
Siemens S7-400
Siemens S7-300

Connection data

Compatible PLC module types

6ES7 313-5BE01-0AB0
 6ES7 313-5BG04-0AB0
 6ES7 313-6BE01-0AB0
 6ES7 313-6BF03-0AB0
 6ES7 313-6CE01-0AB0
 6ES7 313-6CF03-0AB0
 6ES7 314-6BF01-0AB0
 6ES7 314-6BG03-0AB0
 6ES7 314-6CF01-0AB0
 6ES7 314-6CG03-0AB0
 6ES7 321-1BH02-0AA0
 6ES7 321-1BH10-0AA0
 6ES7 321-1BH80-0AA0
 6ES7 321-1BL00-0AA0
 6ES7 321-1BL80-0AA0
 6ES7 321-1BP00-0AA0
 6ES7 321-7BH01-0AB0
 6ES7 321-7BH80-0AA0
 6ES7 322-1EH01-0AA0
 6ES7 322-8BH01/8BH10-0AB0
 6ES7 323-1BL00-0AA0
 6ES7 326-1BK01-0AB0
 6ES7 326-1RF00-0AB0
 6ES7 511-1CK00-0AB0
 6ES7 512-1CK00-0AB0
 6ES7 521-1BH00-0AA0
 6ES7 521-1BH10-0AA0
 6ES7 521-1BL00-0AB0
 6ES7 521-1BL10-0AA0
 6ES7 522-1BH00-0AB0
 6ES7 522-1BH01-0AB0
 6ES7 522-1BH10-0AA0
 6ES7 522-1BL00-0AB0
 6ES7 522-1BL01-0AB0
 6ES7 522-1BL10-0AA0
 6ES7 523-1BL00-0AA0
 6ES7 526-2BF00-0AB0
 6ES7 526-1BH00-0AB0
 6ES7 421-7BH01-0AB0
 6ES7 421-1BL01-0AA0
 6ES7 422-7BL00-0AB0
 6ES7 422-1BL00-0AA0
 IC693 MDL241
 IC693 MDL640
 IC693 MDL643
 IC693 MDL645
 IC693 MDL646
 IC693 MDL655
 IC693 MDL740
 IC693 MDL742
 IC693 MDL753
 IC694 MDL655
 IC694 MDL753
 TM3 DI16(G)
 TM3 DI16K
 TM3 DI32K
 TM3 DQ16T(G)
 TM3 DQ16TK
 TM3 DQ32TK
 TSX DEZ 12D2K
 TSX DEZ 32D2
 TSX DSZ 32T2
 TSX DMZ 28DT
 TSX DMZ 28DTK
 TSX DMZ 64DTK
 TSX DEY 16D2

Connection type 1

System

Pole number 1

20

Connector

DIN 41651 connector; male connector

Mating direction

vertical

Connection type 2

Field

Pole number 2

16

Design 2

PCB terminal blocks (double-deck)

WAGO connector 2

WAGO 736 Series

Connection data

| | |
|--------------------------------|--|
| Solid conductor 2 | 0.08 ... 2.5 mm ² / 28 ... 12 AWG |
| Fine-stranded conductor 2 | 0.08 ... 2.5 mm ² / 28 ... 12 AWG |
| Strip length 2 | 5 ... 6 mm / 0.2 ... 0.24 inches |
| Connection type 3 | Power supply |
| Pole number 3 | 6 |
| Design 3 | PCB terminal blocks (double-deck) |
| WAGO connector 3 | WAGO 736 Series |
| Solid conductor 3 | 0.08 ... 2.5 mm ² / 28 ... 12 AWG |
| Fine-stranded conductor 3 | 0.08 ... 2.5 mm ² / 28 ... 12 AWG |
| Strip length 3 | 5 ... 6 mm / 0.2 ... 0.24 inches |
| Note (conductor cross-section) | 12 AWG: THHN, THWN |

Physical data

| | |
|-----------------------------------|----------------------|
| Width | 55 mm / 2.165 inches |
| Height | 85 mm / 3.346 inches |
| Depth from upper-edge of DIN-rail | 50 mm / 1.969 inches |

Mechanical data

| | |
|---------------|-------------|
| Mounting type | DIN-35 rail |
|---------------|-------------|

Material data

| | |
|-----------|----------|
| Fire load | 1.198 MJ |
| Weight | 80 g |

Environmental requirements

| | |
|---------------------------------------|------------------------|
| Ambient temperature (operation) | -20 ... +50 °C |
| Surrounding air temperature (storage) | -40 ... +70 °C |
| Relative humidity | ≤ 85% (non-condensing) |

Commercial data

| | |
|-------------------------------------|---------------|
| Product Group | 30 () |
| eCl@ss 10.0 | 27-14-11-52 |
| eCl@ss 9.0 | 27-14-11-52 |
| ETIM 8.0 | EC002780 |
| ETIM 7.0 | EC002780 |
| PU (SPU) | 1 Stück |
| Packaging type | Box |
| Country of origin VKOrg Germany | FR |
| GTIN | 4050821161998 |
| Customs tariff number VKOrg Germany | 85366990990 |

Downloads

Environmental Product Compliance

| Compliance Search | |
|---|-------------------|
| Environmental Product Compliance 704-2004 | ↓ |

Documentation

| System Description | | |
|-------------------------------------|------------------|-------------------|
| WAGO System Wiring, Selection Guide | pdf 533.15 KB | ↓ |

| Additional Information | | |
|--|---------|-------------------|
| Disposal; Electrical and electronic equipment, Packaging | V 1.0.0 | pdf 259.56 KB |
| | | ↓ |

| Bid Text | | | |
|----------|------------|-----------------|-------------------|
| 704-2004 | 19.02.2019 | xml 3.77 KB | ↓ |
| 704-2004 | 20.11.2015 | doc 25.50 KB | ↓ |

CAD/CAE-Data

| CAD data | |
|-----------------------|-------------------|
| 2D/3D Models 704-2004 | ↓ |

| CAE data | |
|----------------------------|-------------------|
| EPLAN Data Portal 704-2004 | ↓ |
| WSCAD Universe 704-2004 | ↓ |
| ZUKEN Portal 704-2004 | ↓ |

Subject to changes. Please also observe the further product documentation!

Current addresses can be found at: www.wago.com