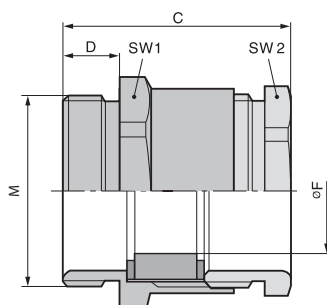




## SKINDICHT® SVFK-M



### Benefits

- Economical type
- Lateral sealing lips fit automatically around various cable dimensions
- Cable-specific seal dimensions are no longer necessary
- Tolerance
- Large opening allows clamping of up to two flat cables

### Application range

- For inserting flat cables
- Conveyor systems
- Pumps
- Lifts
- Control cabinet manufacturing

### Product Make-up

- Metric connection thread acc. to DIN EN 60423
- Basis for technical information DIN IEC 62444

### Note

- Counter nut to be used: SKINTOP® GMP-GL-M
- For suitable flat cables, refer to ÖLFLEX® LIFT F for indoor applications or ÖLFLEX® CRANE F for outdoor applications

### Technical data

**Classification ETIM 5/6**  
 ETIM 5.0/6.0 Class-ID: EC000441  
 ETIM 5.0/6.0 Class-Description: Cable screw gland

**Caution**  
 The installation dimensions can be found in appendix T21

**Colour delivered**  
 Light grey (RAL 7035)

**Material**  
 Body: Polyamide  
 Special sealing insert: CR

**Protection rating**  
 IP 54

**Temperature range**  
 -30°C to +80°C

Article number	Article designation / size	Min./max. flat cable width	Min./max. cable thickness (mm)	SW1/SW2 mm	Overall length, C (mm)	Thread length, D (mm)	Pieces / PU
<b>SKINDICHT® SVFK-M</b>							
52107900	M 25 x 1,5	- / 15.0	-- 5.0	27.0 / 23.0	41.0	11	25
52107901	M 32 x 1,5	10.0 / 21.0	3.0 - 8.0	36.0 / 30.0	39.0	10	25
52107902	M 40 x 1,5	16.0 / 28.0	4.0 - 11.5	42.0 / 40.0	44.0	11	25
52107903	M 50 x 1,5	26.0 / 35.0	4.0 - 11.5	53.0 / 50.0	50.5	11	5
52107904	M 50 x 1,5	30.0 / 40.0	5.0 - 12.0	60.0 / 55.0	53.5	11	5
52107905	M 63 x 1,5	36.0 / 45.0	5.0 - 12.0	65.0 / 60.0	54.5	11	5

Photographs and graphics are not to scale and do not represent detailed images of the respective products.

### Accessories

- SKINDICHT® SM-M refer to page 744