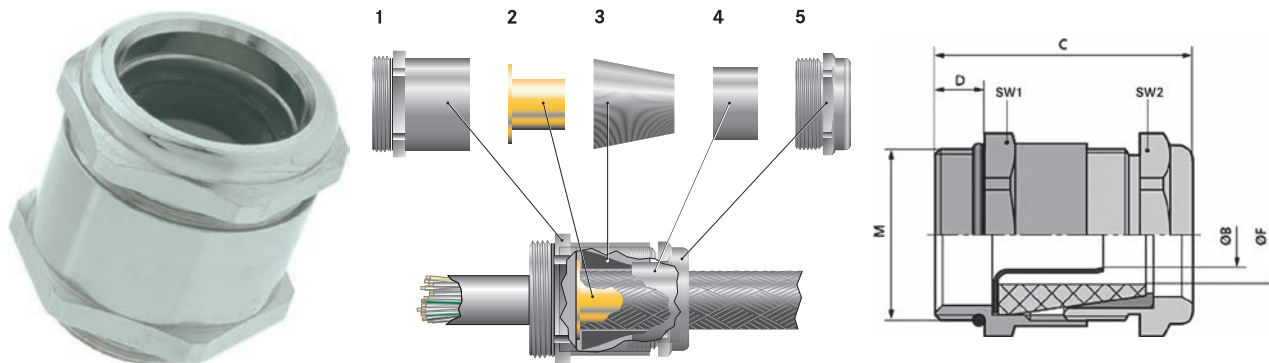




SKINDICHT® SHVE-M



Benefits

- Optimum, low-resistance 360° screen contact
- High degree of protection
- High strain relief

Application range

- Earthing gland, for applications where electrical interference fields can occur.
- Medical engineering
- Frequency converters
- Airports
- Measurement and control technology

Product Make-up

- 1 fitting
- 2 earth sleeves
- 3 sealing cones
- 4 cone, brass
- 5 compression screws

Note

- Counter nut to be used: SKINDICHT® SM-M
- SKINDICHT® SM-PE-M counter nut should be used to ensure optimum contact with painted, anodised or powder-coated housings
- For more EMC cable glands, refer to SKINTOP® MS-SC-M and MS-M BRUSH, and compatible counter nut SKINDICHT® SM-PE-M
- Example order identification:
SHVE-M 20 / 16 / 15 / 11
20 = Connection thread metric
16 = Function thread PG
15 = Clear width of sealing cone
11 = Clear width of earthing sleeve

Technical data

- Classification ETIM 5/6**
ETIM 5.0/6.0 Class-ID: EC000441
ETIM 5.0/6.0 Class-Description: Cable screw gland
- Caution**
The installation dimensions can be found in appendix T21
- Material**
Body: nickel-plated brass
Earthing sleeve: blank brass
Sealing cone: CR
O-ring: NBR
- Protection rating**
IP 68 - 10 bar
- Temperature range**
-20°C to +80°C

Article number	Article designation / size	Function thread PG	Outer sheath clamping range ØF (mm)	Inner sheath clamping range (mm)	SW1/SW2 mm	Overall length, C (mm)	Thread length, D (mm)	Clear opening earthing sleeve ØB	Clear opening F (mm)	Pieces / PU
SKINDICHT® SHVE-M										
52106860	M 16 x 1,5	9	4,5 - 5,8	2,2 - 3,2	18 / 17	26,5	5	3,2	6	25
52106870	M 16 x 1,5	9	4,5 - 6,8	2,2 - 3,2	18 / 17	26,5	5	3,2	7	25
52106880	M 16 x 1,5	9	5,5 - 5,8	2,6 - 3,6	18 / 17	26,5	5	3,6	6	25
52106890	M 16 x 1,5	9	5,5 - 6,8	2,6 - 3,6	18 / 17	26,5	5	3,6	7	25
52106910	M 20 x 1,5	11	3 - 6,8	3,5 - 4,5	22 / 20	31,0	6	4,5	7	25
52106920	M 20 x 1,5	11	6 - 8,8	3,5 - 4,5	22 / 20	31,0	6	4,5	9	25
52106930	M 20 x 1,5	13,5	6,5 - 8,8	3,5 - 5	22 / 22	32,0	6	5	9	25
52106940	M 20 x 1,5	13,5	6 - 8,8	4,5 - 6	22 / 22	32,0	6	6	9	25
52106950	M 20 x 1,5	13,5	8 - 10,8	5,5 - 7	22 / 22	32,0	6	7	11	25
52106960	M 20 x 1,5	16	8,5 - 10,8	6 - 8	24 / 24	34,5	6	8	11	25
52106970	M 20 x 1,5	16	10 - 12,8	7 - 9	24 / 24	34,5	6	9	13	25
52106980	M 20 x 1,5	16	10 - 12,8	8 - 10	24 / 24	34,5	6	10	13	25
52106990	M 20 x 1,5	16	12,5 - 14,8	9 - 11	24 / 24	34,5	6	11	15	25
52107000	M 25 x 1,5	21	13 - 15,8	10 - 12	30 / 30	39,0	7	12	16	25
52107010	M 25 x 1,5	21	13 - 15,8	11 - 13	30 / 30	39,0	7	13	16	25
52107020	M 25 x 1,5	21	15,5 - 17,8	12 - 14	30 / 30	39,0	7	14	18	25
52107030	M 25 x 1,5	21	15 - 17,8	13 - 15	30 / 30	39,0	7	15	18	25
52107040	M 25 x 1,5	21	17,5 - 19,8	14 - 16	30 / 30	39,0	7	16	20	25
52107050	M 32 x 1,5	29	19 - 21,8	15 - 17	40 / 40	45,5	8	17	22	10
52107060	M 32 x 1,5	29	18 - 23,8	16 - 18	40 / 40	45,5	8	18	22	10
52107070	M 32 x 1,5	29	20 - 23,8	17 - 19	40 / 40	45,5	8	19	24	10
52107080	M 32 x 1,5	29	23 - 25,8	17 - 19	40 / 40	45,5	8	19	26	10

Photographs and graphics are not to scale and do not represent detailed images of the respective products.

Accessories

- SKINDICHT® SM-M refer to page 744
- SKINDICHT® SM-PE-M refer to page 744