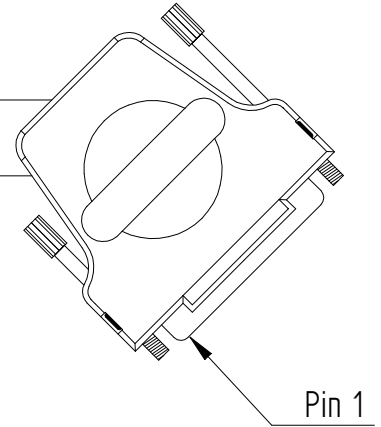
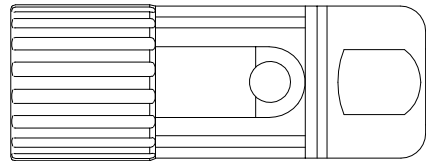


1 2 3 4 5 6 7 8

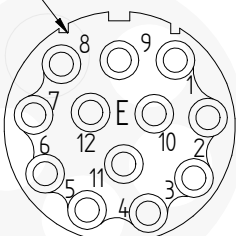
Ziel

Quelle

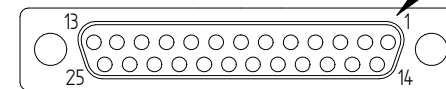


Codierung 20° auf Pin 8

"A"



E-Teil



Pin 1

					Date	Name	LAPP Lapp Systems GmbH Oskar Lapp Strasse 5 70565 Stuttgart www.lappsystems.lappgroup.com	Project	Drawingnumber Customer	Partnumber Customer											
					edit	11.11.2015		jagr1	Siemens	2CF02	Format DIN A4										
					check.	21.12.2015		bolj1	Description.	Übersicht	Partnumber.										
					verify.			GA-EAML-DxAB-UBMR-0000-0000	54701xx023	All measurements in millimetre Unless otherwise indicated, based on DIN47101		Sheet.	1/3								
Rev.	Modification	Date	Name				Prep. for	Prep. by													
1		2		3			4	5	6	7				8							