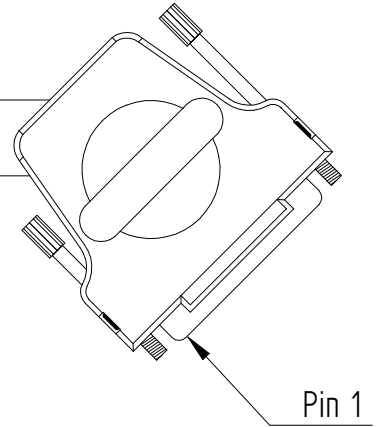
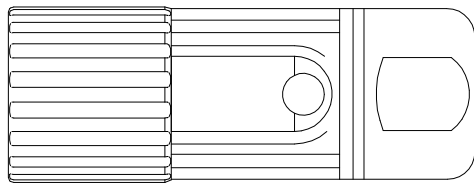


1 2 3 4 5 6 7 8

Ziel

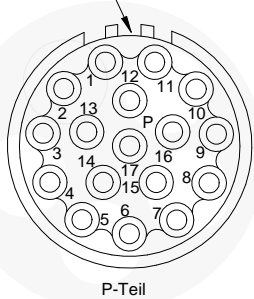
Quelle



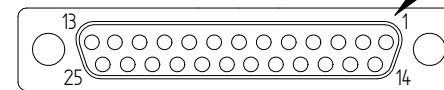
"A" →

Codierung 0°

"A"



P-Teil



Pin 1

Pin 1

				Date	Name	 LAPP Lapp Systems GmbH Oskar Lapp Strasse 5 70565 Stuttgart www.lappsystems.lappgroup.com	Project				Drawingnumber Customer		Partnumber Customer								
				edit 12.11.2015	jaqr1		Siemens				2EQ10										
				check. 05.01.2016	flst1		Description				Übersicht		Format DIN A4								
				verify.		GA-EAMP-DxAC-UBMR-0000-0000				Partnumber.		All measurements in millimetre, unless otherwise indicated, based on DIN47101									
						6FXx002-2EQ10				54701xx034		Sheet									
Rev.	Modification	Date	Name	Prep. for			Prep. by			54701xx034		1/3									
1		2		3		4		5		6		7		8							