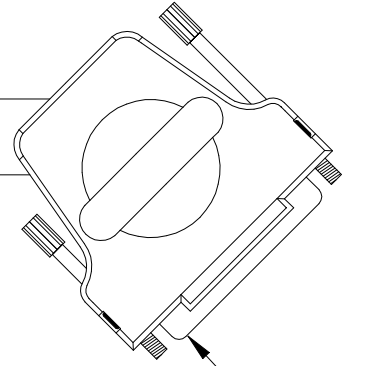
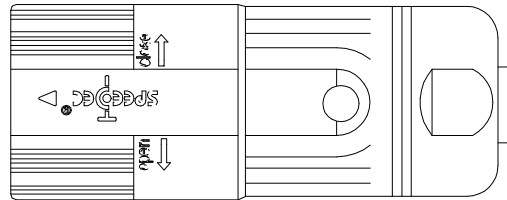


1 2 3 4 5 6 7 8

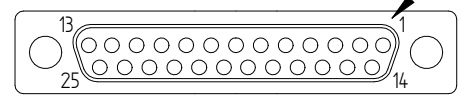
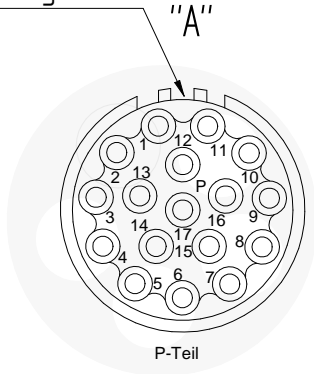
Ziel

Quelle




"A"

Codierung 0°



Pin 1

Pin 1

				Date	Name	 LAPP Systems GmbH Oskar Lapp Strasse 5 70565 Stuttgart www.lappsystems.lappgroup.com	Project	Drawingnumber Customer	Partnumber Customer	
				edit 12.11.2015	jaqr1		Siemens	2EQ31		
				check 05.01.2016	flst1		Description	Übersicht	Format DIN A4	
				verify.			GA-EIMP-DxAC-UBMR-0000-0000			
							6FXx002-2EQ31	Partnumber	All measurements in millimetre Unless otherwise indicated, based on DIN47101	
Rev.	Modification	Date	Name	Prep. for			Prep. by			Sheet
1		2		3	4	5	6	7	8	1/3