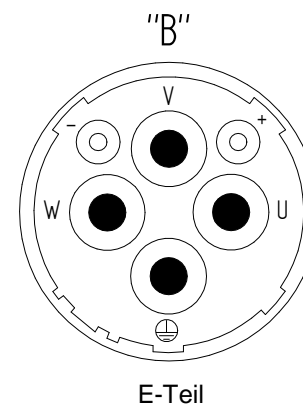
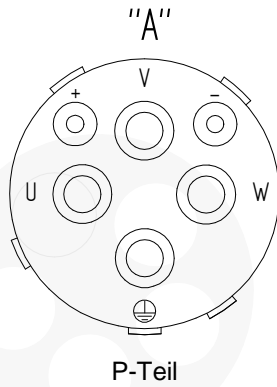
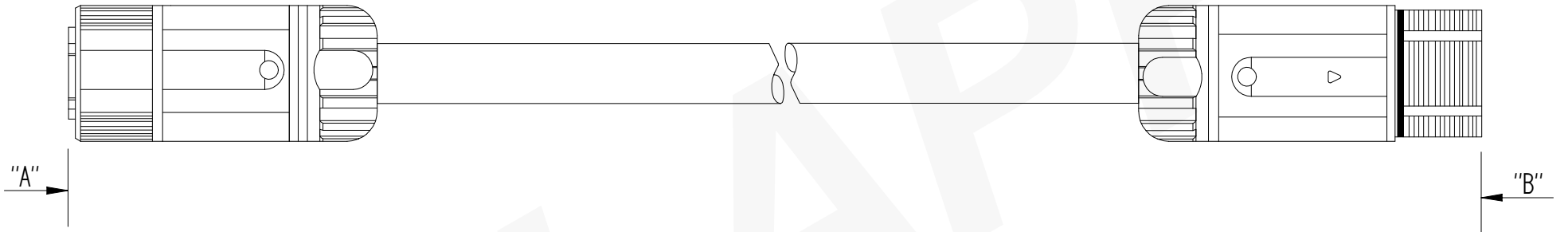


1 2 3 4 5 6 7 8

Ziel

Quelle



				Date	Name	 LAPP Lapp Systems GmbH Oskar Lapp Strasse 5 70565 Stuttgart www.lappsystems.lappgroup.com	Project	Drawingnumber Customer	Partnumber Customer
				edit 16.11.2015	jaqr1		Siemens	5CA58	
				check. 05.01.2016	flst1		Description	Übersicht	Format DIN A4
				verify.			GA-JAMF-FxMA-JEMF-0000-0000	Partnumber.	All measurements in millimetre Unless otherwise indicated, based on DIN47101
							6FXx002-5CA58	54701xx051	Sheet.
Rev.	Modification	Date	Name			Prep. for	Prep. by		1/3
1		2		3		4	5	6	7
									8