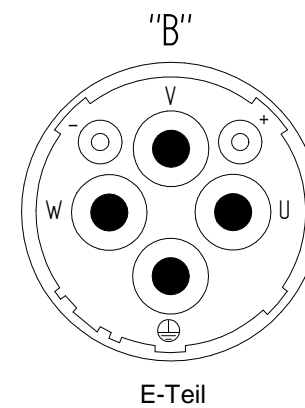
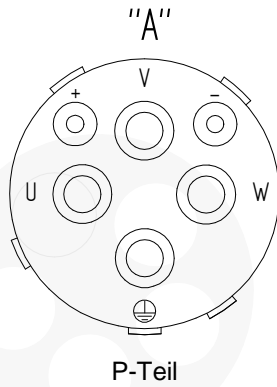
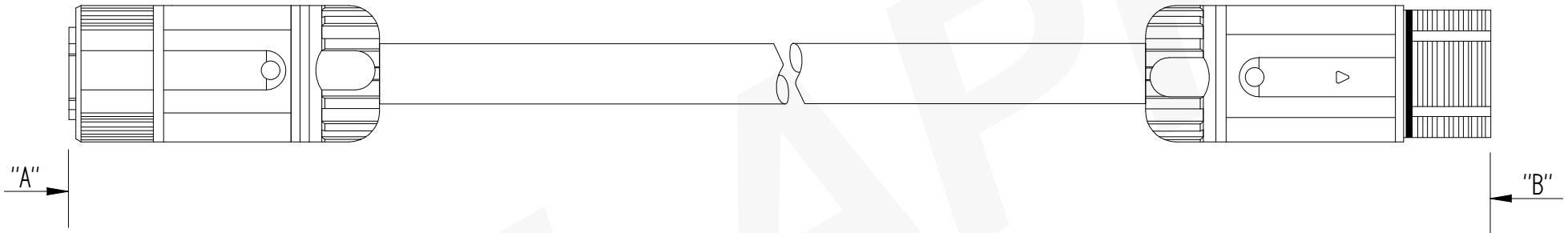


1                      2                      3                      4                      5                      6                      7                      8

Ziel

Quelle



				Date	Name	 <b>LAPP</b> Lapp Systems GmbH Oskar Lapp Strasse 5 70565 Stuttgart www.lappsystems.lappgroup.com	Project	Drawingnumber Customer	Partnumber Customer
				edit 16.11.2015	jaqr1		Siemens	5CA68	
				check. 05.01.2016	flst1		Description	Übersicht	Format DIN A4
				verify.			GA-JAMF-FxOA-JEMF-0000-0000	Partnumber.	All measurements in millimetre Unless otherwise indicated, based on DIN47101
							6FXx002-5CA68	54701xx053	Sheet
Rev.	Modification	Date	Name			Prep. for	Prep. by		1/3
1		2		3		4	5	6	7
									8

A  
B  
C  
D  
E

A  
B  
C  
D  
E