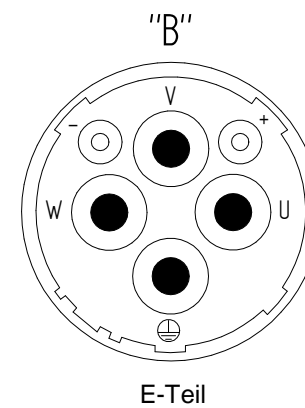
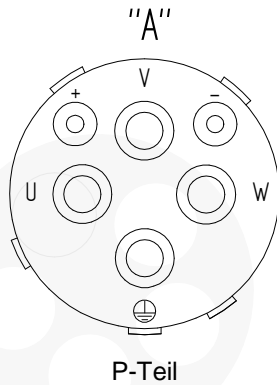
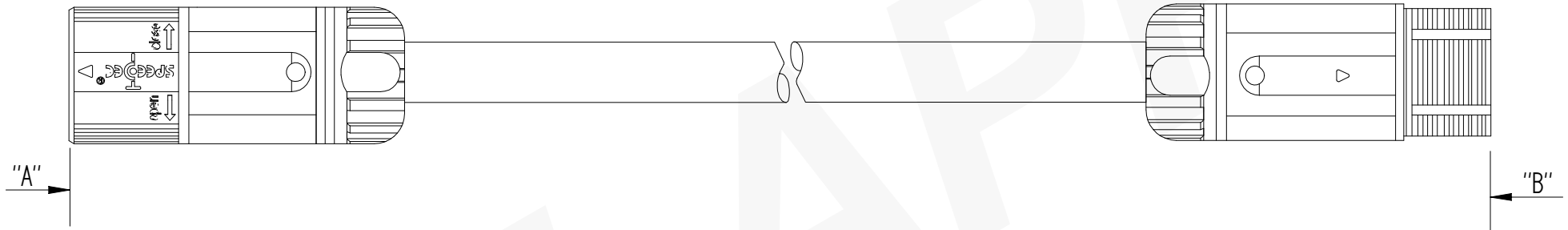



1 2 3 4 5 6 7 8

Ziel

Quelle



				Date	Name	 Lapp Systems GmbH Oskar Lapp Strasse 5 70565 Stuttgart www.lappsystems.lappgroup.com	Project	Drawingnumber Customer	Partnumber Customer		
				edit	24.11.2015		jaqr1	Siemens	5CQ28		
				check.	06.01.2016		flst1	Description	Übersicht	Format DIN A4	
				verify.				GA-JGMF-FxJB-JKMF-0000-0000	Partnumber.	All measurements in millimetre Unless otherwise indicated, based on DIN47101	
Rev.	Modification	Date	Name	Prep. for			Prep. by	54701xx077	Sheet		
1		2		3	4	5	6	7	1/3		

1 2 3 4 5 6 7 8