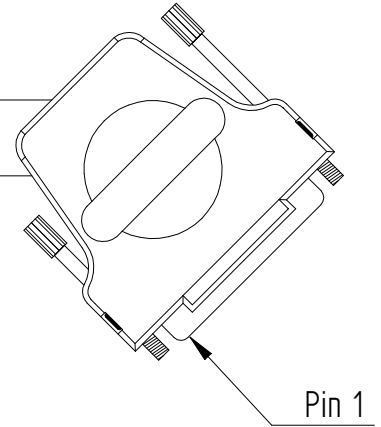
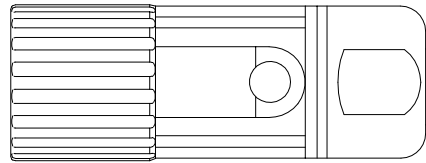


1 2 3 4 5 6 7 8

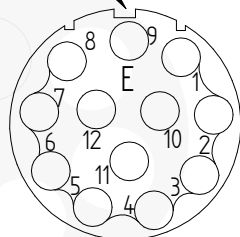
Ziel

Quelle

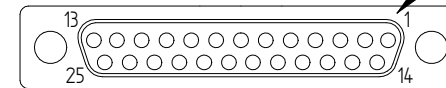


Codierung 0°

"A"



E-Teil



Pin 1

				Date	Name	 LAPP Lapp Systems GmbH Oskar Lapp Strasse 5 70565 Stuttgart www.lappsystems.lappgroup.com	Project	Drawingnumber Customer	Partnumber Customer
			edit	23.11.2015	jaqr1		Siemens	2CF01	
			check.	18.01.2016	flst1		Description	Übersicht	Format DIN A4
			verify.				GA-EAML-DxAB-UBMR-0000-0000 6FXx002-2CF01	Partnumber	All measurements in millimetre Unless otherwise indicated, based on DIN47101
Rev.	Modification	Date	Name			Prep. for	Prep. by	54701xx207	Sheet
1		2		3		4	5	6	7
									1/3

1 2 3 4 5 6 7 8