

1 2 3 4 5 6 7 8

Ziel

Quelle

A

A

B

B

C

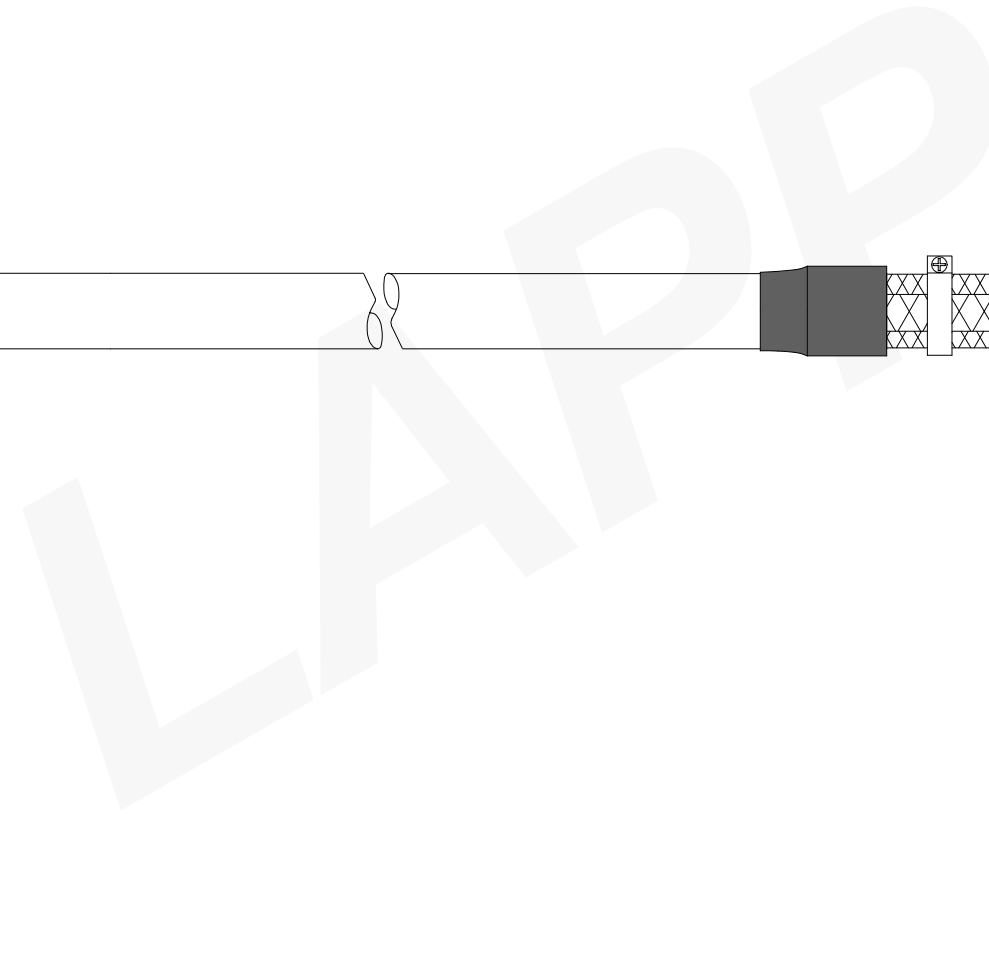
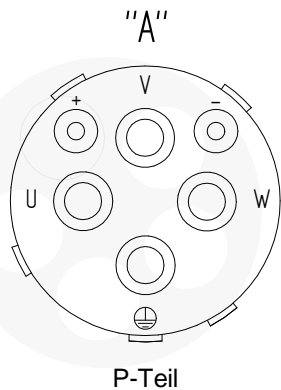
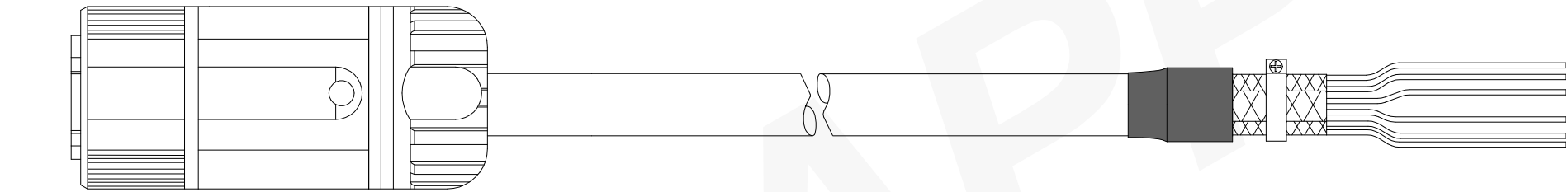
C

D

D

E

E



					Date	Name	 LAPP Lapp Systems GmbH Oskar Lapp Strasse 5 70565 Stuttgart www.lappsystems.lappgroup.com	Project	Drawingnumber Customer	Partnumber Customer				
				edit	21.11.2016	enti1		Siemens	5DG61	Format	DIN A4			
				check.	15.12.2016	bolj1		Description	Partnumber.	All measurements in millimetre Unless otherwise indicated, based on DIN47101	Sheet.	1/3		
Rev.	Modification	Date	Name				Prep. for	Prep. by	54701xx387					
1		2		3			4	5	6	7		8		