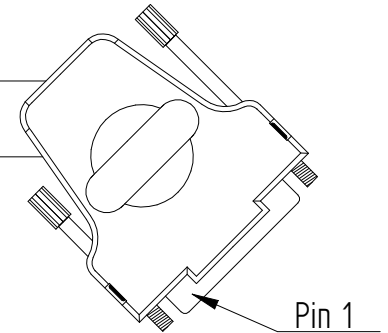
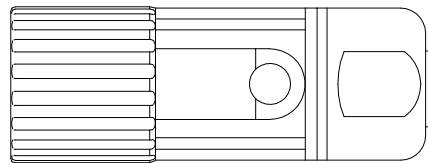


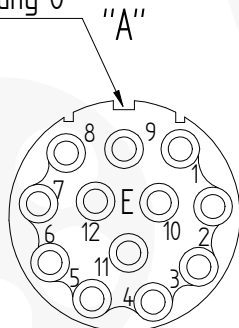
1 2 3 4 5 6 7 8

Ziel

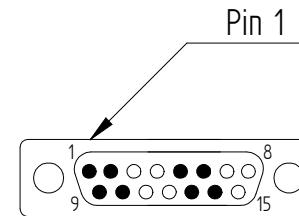
Quelle



Codierung 0°



E-Teil



A
B
C
D
E

A
B
C
D
E

| | | | | | | | | | |
|------|--------------|------|------|-------------------|-------|--|-----------------------------|------------------------|--|
| | | | | | | | | | |
| | | | | Date | Name | LAPP Lapp Systems GmbH Oskar Lapp Strasse 5 70565 Stuttgart www.lappsystems.lappgroup.com | Project. | Drawingnumber Customer | Partnumber Customer |
| | | | | edit 18.08.2016 | jagr1 | | SEW | 13327429_13327437 | |
| | | | | check. 26.08.2016 | bolj1 | | Description. | Übersicht | Format DIN A4 |
| | | | | verify. | | | GC-EAML-DxEG-UDMN-0000-0000 | Partnumber. | All measurements in millimetre Unless otherwise indicated, based on DIN47101 |
| Rev. | Modification | Date | Name | | | Prep. for | Prep. by | 54703xx101 | Sheet. |
| 1 | | 2 | | 3 | | 4 | | 6 | 1/3 |

1 2 3 4 5 6 7 8