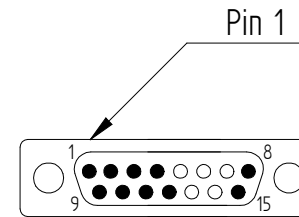
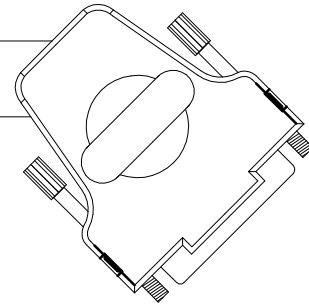


1 2 3 4 5 6 7 8

Ziel

Quelle



A
B
C
D
E

A
B
C
D
E

				Date	Name	 LAPP Lapp Systems GmbH Oskar Lapp Strasse 5 70565 Stuttgart www.lappsystems.lappgroup.com	Project	Drawingnumber Customer	Partnumber Customer
				edit 02.06.2017	bolj1		SEW	1361 7621_1361 7648	
				check. 02.06.2017	flst1		Description		Format DIN A4
				verify.			GC-VPM1-DxEG-UDMN-0000-0000		
Rev.	Modification	Date	Name			Prep. for	Prep. by	Partnumber.	All measurements in millimetre Unless otherwise indicated, based on DIN47101
1		2		3		4	5	6	Sheet. 1/3

1 2 3 4 5 6 7 8