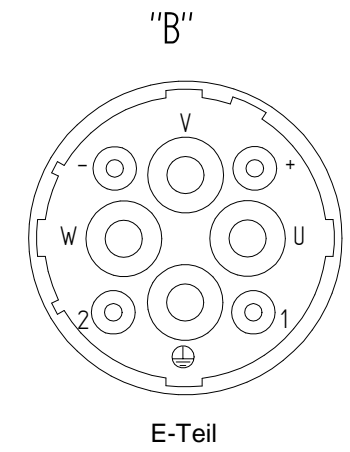
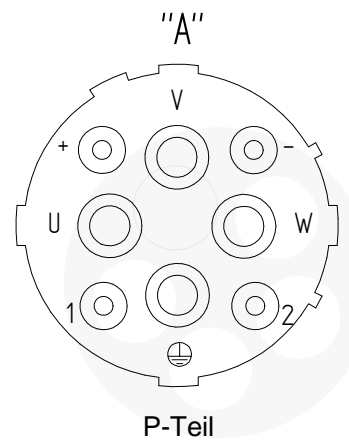




"A" →

← "B"



				Date	Name	 LAPP Lapp Systems GmbH Oskar Lapp Strasse 5 70565 Stuttgart www.lappsystems.lappgroup.com	Project	Drawingnumber Customer	Partnumber Customer				
				edit 24.01.2018	enti1		Rockwell	2090-CPBM7E7-10Ax	Format DIN A4				
				check. 01.03.2018	enti1		Description	Übersicht	All measurements in millimetre Unless otherwise indicated, based on DIN47101				
Rev.	Modification	Date	Name			Prep. for	2090-CPBM7E7-10Ax	Partnumber.	54705xx133	Sheet.	1/3		
1		2		3		4	5	6	7	8			