


Product information

0906 UTP 301

Industrial Connecting Solutions:Cables and Adapters:T-connectors / adaptors:7/8", M23, RJ45/M12, D-Sub/M12 - T-connectors/adaptors:7/8":T-connectors, 7/8"-female on 7/8"-male and 7/8"-female
 connector:0906 UTP 301

<https://www.e-catalog.beldensolutions.com:443/link/57078-24228-256254-57229-218891-218893-218896-219238/en/conf/ui/istate>

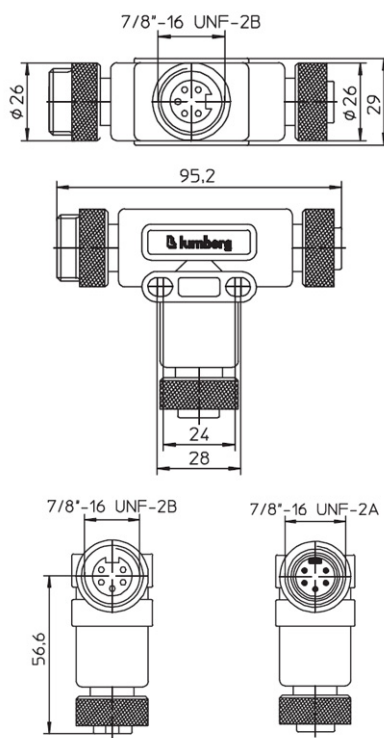
Name	0906 UTP 301
	
	T-connector with 7/8" male/female connector, 5 poles (especially suitable for DeviceNet modules with 7/8" bus connection)
Delivery informations	
Availability	available
Product description	
Type	0906 UTP 301
Order No.	2236
Description	T-connector with 7/8" male/female connector, 5 poles (especially suitable for DeviceNet modules with 7/8" bus connection)
Number of contacts	5
Color of housing	yellow
Product characteristics	Vibration resistance, Oil resistance
Classification	
Belden brand	Lumberg-Automation
Environmental conditions	
Environmental temperature	-25 °C ... 90 °C
Degree of protection (IP), mounted	IP67
Pollution degree	3
Materials	
Housing material / Molded body	TPU
Contact material	CuZn
Contact material - Surface refinement	pre-nickeled and 0.8 microns gold-plated
Knurled screw / nut material	Al black anodized
Electrical data	
Contact resistance	≤ 5 mΩ
Rated current In	9 A at 40 °C
Nominal voltage	300 V
Insulation resistance	> 1 GΩ

Industrial Connecting Solutions:Cables and Adapters:T-connectors / adaptors:7/8", M23, RJ45/M12, D-Sub/M12 - T-connectors/adaptors:7/8":T-connectors, 7/8"-female on 7/8"-male and 7/8"-female connector:0906 UTP 301

<https://www.e-catalog.beldensolutions.com:443/link/57078-24228-256254-57229-218891-218893-218896-219238/en/conf/ulistate>

Picture

Drawing



Belden Deutschland GmbH

Im Gewerbepark 2
 58579 Schalksmühle
 Germany
 Phone: +49 7127/14-1806
 E-Mail: icos-sales@belden.com

The information published in the websites has been compiled as carefully as possible. It is subject to alteration without notice in technical as well as in price-related/commercial respect. The complete information and data were available on user documentation. Mandatory information can only be obtained by a concrete query.