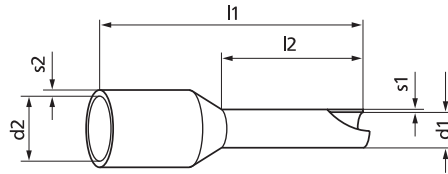




## Conductor end sleeves insulated



### Info

- Now with UL approval

### Benefits

- Funnel-shaped opening makes it easy to slip them onto the strands
- The conductor is permanently connected to the collar by crimping

### Application range

- Control cabinets and equipment wiring
- For cables with category 2,5 and 6 conductors
- Not suitable for solid conductors

### Note

- From 16mm sleeve length (l2) 2x crimp

### Suitable tools

- PEW 12 universal tool refer to page 983
- E-PEW 12 universal tool refer to page 983
- Crimping inserts for PEW 12 system refer to page 984
- PEW 8.185 crimping pliers refer to page 971
- PEW 8.186 crimping pliers refer to page 971

### Technical data

**Classification ETIM 5/6**  
 ETIM 5.0/6.0 Class-ID: EC000005  
 ETIM 5.0/6.0 Class-Description: Cable end sleeve

**Note**  
 Halogen-free

**Material**  
 Copper/PP  
 Surface: tin-plated

**Temperature range**  
 -5°C to +105°C

### Norm references / Approvals

- All DIN conductor end-sleeves are in accordance with DIN 46228 Part 4
- UL File No. E507990, see table
- Fire behaviour according to UL 94 HB

Article number	Article designation	For mm <sup>2</sup>	UL certification	Colour	l1 mm	l2 mm	d1 mm	s1 mm	d2 mm	s2 mm	Suitable crimp insert	Pieces / PU
<b>Conductor end sleeves insulated</b>												
61721866	AHI N 0,25/6	0.25	no	light blue	10.5	6	0.8	0.25	1.8	0.25	PEW 12.090	500
61721867	AHI L 0,25/8	0.25	no	light blue	12.5	8	0.8	0.25	1.8	0.25	PEW 12.090	500
61721868	AHI N 0,34/6	0.34	no	turquoise	10.5	6	0.8	0.25	2	0.25	PEW 12.090	500
61721869	AHI L 0,34/8	0.34	no	turquoise	12.5	8	0.8	0.25	2	0.25	PEW 12.090	500
61801580	AHI DIN K 0,5/6	0.50	yes	white	11.5	6	1.1	0.15	2.5	0.25	PEW 12.090	500
61801590	AHI DIN N 0,5/8	0.50	yes	white	13.5	8	1.1	0.15	2.5	0.25	PEW 12.090	500
61801600	AHI DIN HL 0,5/10	0.50	yes	white	15.5	10	1.1	0.15	2.5	0.25	PEW 12.090	500
61721871	AHI N 0,5/8	0.50	no	orange	13.5	8	1.1	0.15	2.5	0.25	PEW 12.090	500
61801620	AHI DIN K 0,75/6	0.75	yes	grey	12	6	1.3	0.15	2.8	0.25	PEW 12.090	500
61801630	AHI DIN N 0,75/8	0.75	yes	grey	14	8	1.3	0.15	2.8	0.25	PEW 12.090	500
61801640	AHI DIN HL 0,75/10	0.75	yes	grey	16	10	1.3	0.15	2.8	0.25	PEW 12.090	500
61801650	AHI DIN L 0,75/12	0.75	yes	grey	18	12	1.3	0.15	2.8	0.25	PEW 12.090	500
61721880	AHI N 0,75/8	0.75	no	white	14	8	1.3	0.15	2.8	0.25	PEW 12.090	500
61801660	AHI DIN K 1/6	1.00	yes	red	12.5	6	1.5	0.15	3	0.3	PEW 12.090	500
61801670	AHI DIN N 1/8	1.00	yes	red	14.5	8	1.5	0.15	3	0.3	PEW 12.090	500
61801680	AHI DIN HL 1/10	1.00	yes	red	16.5	10	1.5	0.15	3	0.3	PEW 12.090	500
61801690	AHI DIN L 1/12	1.00	yes	red	18.5	12	1.5	0.15	3	0.3	PEW 12.090	500
61721890	AHI N 1/8	1.00	no	yellow	14.5	8	1.5	0.15	3	0.3	PEW 12.090	500
61801700	AHI K 1,5/6	1.50	yes	black	12.5	6	1.8	0.15	3.4	0.3	PEW 12.090	500
61801710	AHI DIN N 1,5/8	1.50	yes	black	14.5	8	1.8	0.15	3.4	0.3	PEW 12.090	500
61801720	AHI DIN HL 1,5/10	1.50	yes	black	16.5	10	1.8	0.15	3.4	0.3	PEW 12.090	500
61801730	AHI DIN L 1,5/18	1.50	yes	black	24.5	18	1.8	0.15	3.4	0.3	PEW 12.090	500
61721900	AHI N 1,5/8	1.50	no	red	14.5	8	1.8	0.15	3.4	0.3	PEW 12.090	500
61721910	AHI HL 1,5/10	1.50	no	red	16.5	10	1.8	0.15	3.4	0.3	PEW 12.090	500
61746720	AHI L 1,5/18	1.50	no	red	24.5	18	1.8	0.15	3.4	0.3	PEW 12.090	500
61801750	AHI DIN N 2,5/8	2.50	yes	blue	15	8	2.3	0.15	4.2	0.3	PEW 12.090	500
61801760	AHI DIN HL 2,5/12	2.50	yes	blue	19	12	2.3	0.15	4.2	0.3	PEW 12.090	500
61801770	AHI DIN L 2,5/18	2.50	yes	blue	25	18	2.3	0.15	4.2	0.3	PEW 12.090	500
61801780	AHI DIN N 4/10	4.00	yes	grey	17.5	10	2.9	0.2	4.8	0.3	PEW 12.090	500
61801790	AHI DIN HL 4/12	4.00	yes	grey	20	12	2.9	0.2	4.8	0.3	PEW 12.090	500
61801800	AHI DIN L 4/18	4.00	yes	grey	26	18	2.9	0.2	4.8	0.3	PEW 12.090	100
61801810	AHI DIN N 6/12	6.00	yes	yellow	20	12	3.6	0.2	6.2	0.3	PEW 12.090	100
61801820	AHI DIN L 6/18	6.00	yes	yellow	25	18	3.6	0.2	6.2	0.3	PEW 12.090	100
61721940	AHI N 6/12	6.00	no	black	20	12	3.6	0.2	6.2	0.3	PEW 12.090	100
61721950	AHI L 6/18	6.00	no	black	26	18	3.6	0.2	6.2	0.3	PEW 12.090	100
61801830	AHI DIN N 10/12	10.00	yes	red	21	12	4.6	0.2	7.5	0.3	PEW 12.091	100
61801840	AHI DIN L 10/18	10.00	yes	red	27	18	4.6	0.2	7.5	0.3	PEW 12.091	100
61721960	AHI N 10/12	10.00	no	ivory	21	12	4.6	0.2	7.5	0.3	PEW 12.091	100
61721970	AHI L 10/18	10.00	no	ivory	27	18	4.6	0.2	7.5	0.3	PEW 12.091	100
61801850	AHI DIN N 16/12	16.00	yes	blue	23	12	6	0.2	8.8	0.4	PEW 12.091	100
61801860	AHI DIN L 16/18	16.00	yes	blue	29	18	6	0.2	8.8	0.4	PEW 12.091	100
61721980	AHI N 16/12	16.00	no	green	23	12	6	0.2	8.8	0.4	PEW 12.091	100
61721990	AHI L 16/18	16.00	no	green	29	18	6	0.2	8.8	0.4	PEW 12.091	100

Article number	Article designation	For mm <sup>2</sup>	UL certification	Colour	l1 mm	l2 mm	d1 mm	s1 mm	d2 mm	s2 mm	Suitable crimp insert	Pieces / PU
61801870	AHI DIN N 25/16	25.00	yes	yellow	29	16	7.5	0.2	11	0.5	PEW 12.091	50
61801890	AHI DIN L 25/22	25.00	yes	yellow	35	22	7.5	0.2	11	0.5	PEW 12.091	50
61746770	AHI N 25/16	25.00	no	brown	29	16	7.5	0.2	11	0.5	PEW 12.091	50
61746780	AHI L 25/22	25.00	no	brown	35	22	7.5	0.2	11	0.5	PEW 12.091	50
61801900	AHI DIN N 35/16	35.00	yes	red	30	16	8.5	0.2	12.5	0.5	PEW 12.331	50
61801920	AHI DIN L 35/25	35.00	yes	red	39	25	8.5	0.2	12.5	0.5	PEW 12.331	50
61746790	AHI N 35/16	35.00	no	beige	30	16	8.5	0.2	12.5	0.5	PEW 12.331	50
61746800	AHI L 35/25	35.00	no	beige	39	25	8.5	0.2	12.5	0.5	PEW 12.331	50
61801930	AHI DIN N 50/20	50.00	yes	blue	36	20	10.5	0.3	15	0.6	PEW 12.331	50
61801940	AHI DIN L 50/25	50.00	yes	blue	41	25	10.5	0.3	15	0.6	PEW 12.331	50
61801950	AHI N 70/20	70.00	no	yellow	37	20	12.7	0.4	16	0.6	PEW 12S.093	25
61801960	AHI L 70/27	70.00	no	yellow	44	27	12.7	0.4	16	0.6	PEW 12S.093	25
61801970	AHI N 95/25	95.00	no	red	44	25	14.7	0.4	18	0.6	PEW 12S.094	25
61801980	AHI N 120/27	120.00	no	blue	48	27	16.7	0.5	21	0.7		25
61801990	AHI N 150/32	150.00	no	yellow	58	32	19.5	0.5	23	1		25

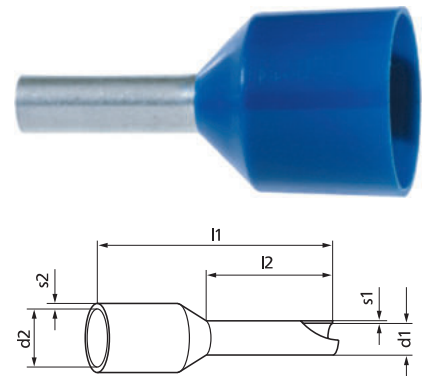
K = short; N = medium; HL = large; L = extra large; other sizes and colours are available upon request  
 Photographs and graphics are not to scale and do not represent detailed images of the respective products.  
 The manufacturing tolerance is +/- 0,4 mm.



## Conductor end sleeves AHK insulated

**Info**

- Now with UL approval



### Benefits

- Thicker insulation and greater wall thickness for higher loads
- Suitable for all short circuit and earth fault-resistant cables up to 3 kV due to enlarged insulation sleeves

### Application range

- For cables with thick insulation
- Special conductor end sleeve model with large plastic collar for thick insulation cables (e.g. NSGAFÖU)
- Suitable for unprotected connections on control and distribution panels, rail vehicles, solar systems, ignition cables etc.

### Norm references / Approvals

- UL File No. E507990, see table

### Suitable cables

- NSGAFÖU 1,8/3 kV Page 104

### Suitable tools

- PEW 12 universal tool refer to page 983
- E-PEW 12 universal tool refer to page 983
- Crimping inserts for PEW 12 system refer to page 984
- PEW 8.185 crimping pliers refer to page 971
- PEW 8.186 crimping pliers refer to page 971

### Technical data

**Classification ETIM 5/6**  
 ETIM 5.0/6.0 Class-ID: EC000005  
 ETIM 5.0/6.0 Class-Description: Cable end sleeve

**Material**  
 Copper/PP  
 Surface: tin-plated

**Temperature range**  
 -5°C to +105°C

Article number	Article designation	For mm <sup>2</sup>	UL certification	Colour	l1 mm	l2 mm	d1 mm	s1 mm	d2 mm	s2 mm	Suitable crimp insert	Pieces / PU
<b>Conductor end sleeves AHK insulated</b>												
61746500	AHK 1,5/8	1.50	yes	black	17.5	8	1.8	0.15	7.5	0.3	PEW 12.090	100
61746501	AHK 1,5/10	1.50	no	black	19.5	10	1.8	0.15	7.5	0.3	PEW 12.090	100
61746502	AHK 2,5/8	2.50	yes	blue	17.5	8	2.3	0.15	8	0.3	PEW 12.090	100
61746503	AHK 2,5/12	2.50	yes	blue	21.5	12	2.3	0.15	8	0.3	PEW 12.090	100
61746504	AHK 4/10	4.00	yes	grey	19.5	10	2.9	0.2	9.5	0.3	PEW 12.090	100
61746505	AHK 6/12	6.00	yes	yellow	23	12	3.6	0.2	10	0.3	PEW 12.090	100
61746506	AHK 10/12	10.00	yes	red	24	12	4.6	0.2	11.5	0.3	PEW 12.091	100
61746507	AHK 16/12	16.00	yes	blue	25.5	12	6	0.2	13.5	0.3	PEW 12.091	100

Photographs and graphics are not to scale and do not represent detailed images of the respective products.