

# REVOS · HOODS

Size 6Ex, single locking lever



Lateral cable entry



Top cable entry

Multipole connectors for cable-to-cable couplings with Locking levers and gasket



Lateral cable entry



Top cable entry

| Description   | Type                       | M                                   | Part No.   | P.U. |
|---|----------------------------|-------------------------------------|------------|------|
| <b>Hoods, size 6Ex</b>  |                            | <b>Housing, die cast zinc alloy</b> |            |      |
| <b>Lateral cable entry M20</b>  |                            |                                     |            |      |
| with threaded collar  | EX GOT GG 6 M20 09IA Z1 20 | 70.350.0636.1                       | 1          |      |
| with strain relief, IP54<br>→ Ø ← 9 – 13.5 mm   | EX GOT GG 6 M20 09IA Z3 20 | 70.350.0636.3                       | 1          |      |
| <b>Lateral cable entry M25</b>  |                            |                                     |            |      |
| with threaded collar  | EX GOT GG 6 M25 09IA Z1 25 | 70.353.0636.1                       | 1          |      |
| with strain relief, IP54<br>→ Ø ← 14 – 20 mm  | EX GOT GG 6 M25 09IA Z3 25 | 70.353.0636.3                       | 1          |      |
| <b>Top cable entry M20</b>  |                            |                                     |            |      |
| with threaded collar  | EX GOT GI 6 M20 09IA Z1 20 | 70.352.0636.1                       | 1          |      |
| with strain relief, IP54<br>→ Ø ← 9 – 13.5 mm   | EX GOT GI 6 M20 09IA Z3 20 | 70.352.0636.3                       | 1          |      |
| <b>Top cable entry M25</b>  |                            |                                     |            |      |
| with threaded collar  | EX GOT GI 6 M25 09IA Z1 25 | 70.354.0636.1                       | 1          |      |
| with strain relief, IP54<br>→ Ø ← 14 – 20 mm  | EX GOT GI 6 M25 09IA Z3 25 | 70.354.0636.3                       | 1          |      |
| <b>Multipole connectors for cable-to-cable couplings with Locking levers and gasket</b> |                            |                                     |            |      |
| <b>Lateral cable entry M20</b>  |                            |                                     |            |      |
| with strain relief, IP54<br>→ Ø ← 9 – 13.5 mm   | EX GOT GT 6 M20 09IA Z4 20 | 99.731.3329.7                       | 10         |      |
| <b>Lateral cable entry M25</b>  |                            |                                     |            |      |
| with strain relief, IP54<br>→ Ø ← 14 – 20 mm  | EX GOT GT 6 M25 09IA Z4 25 | 99.732.3329.7                       | 1          |      |
| <b>Top cable entry M20</b>  |                            |                                     |            |      |
| with strain relief, IP54<br>→ Ø ← 9 – 13.5 mm   | EX GOT GR 6 M20 09IA Z3 20 | 99.741.3329.7                       | 10         |      |
| <b>Top cable entry M25</b>  |                            |                                     |            |      |
| with strain relief, IP54<br>→ Ø ← 14 – 20 mm  | EX GOT GR 6 M25 09IA Z3 25 | 99.742.3329.7                       | 10         |      |
| <b>TECHNICAL DATA</b>   |                            |                                     |            |      |
| Material  | Die cast zinc alloy        |                                     |            |      |
| Surface   | powder coated, light blue  |                                     |            |      |
| Locking levers  | zinc-plated steel          |                                     |            |      |
| Gasket  | NBR                        |                                     |            |      |
| <b>Degree of protection</b>   |                            |                                     |            |      |
| with latched locking levers   | IP54                       |                                     |            |      |
| with appropriate cable glands   | IP65                       |                                     |            |      |
| Temperature range   | -20 °C...+60 °C            |                                     |            |      |
| <b>Contact inserts</b> see the product matrix   |                            |                                     | Page 26–27 |      |

### Special conditions for safe use:

1. The heavy duty connectors must be attached to a device in such a way that a minimum protection rating of IP54 is maintained in accordance with EN 60529.
2. The plug connectors can be used in an ambient temperature ranges of -20 °C to +60 °C.

See section "FACTS&DATA" for handling and assembly of the multipole connectors.

 I M1 Ex ia I

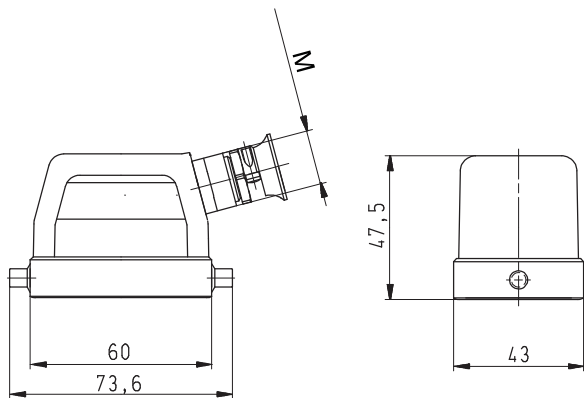
EN 60079-0:2006 EN 60079-11:2007 EN 50303:2000

For assembly instructions, see page 320 and 325.

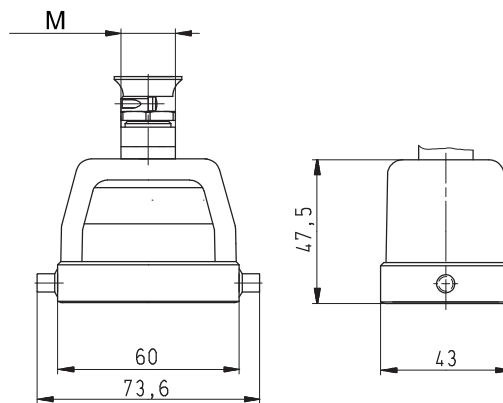
## DIMENSIONS

### Hoods

Lateral cable entry

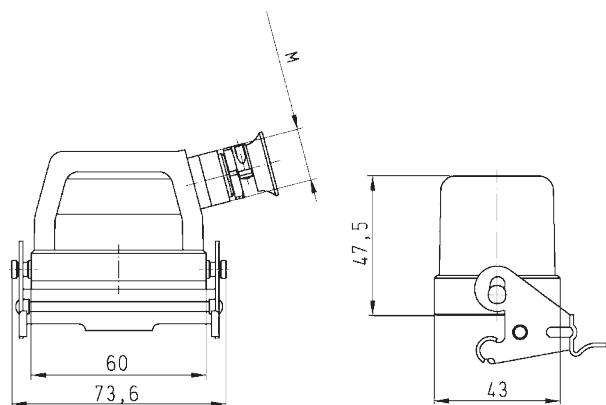


Top cable entry



### Multipole connectors for cable-to-cable couplings with Locking levers and gasket

Lateral cable entry



Top cable entry

