

REVOS · HOODS

Size 16Ex, double locking lever



Lateral cable entry



Top cable entry

Multipole connectors for cable-to-cable couplings with Locking levers and gasket



Lateral cable entry



Top cable entry

| Description | Type | M | Part No. | P.U. |
|---|-------------------------------------|----|---------------|------|
| Hoods, size 16Ex | Housing, die cast zinc alloy | | | |
| Lateral cable entry M25 with threaded collar | EX GOT GA 16 M25 09IA Z1 | 25 | 70.350.1636.1 | 1 |
| with strain relief, IP54 →Ø→ 14 – 20 mm | EX GOT GA 16 M25 09IA Z3 | 25 | 70.350.1636.3 | 1 |
| Lateral cable entry M32 with threaded collar | EX GOT GA 16 M32 09IA Z1 | 32 | 70.353.1636.1 | 1 |
| with strain relief, IP54 →Ø→ 21 – 28.5 mm | EX GOT GA 16 M32 09IA Z3 | 32 | 70.353.1636.3 | 1 |
| Top cable entry M25 with threaded collar | EX GOT GC 16 M25 09IA Z1 | 25 | 70.352.1636.1 | 1 |
| with strain relief, IP54 →Ø→ 14 – 20 mm | EX GOT GC 16 M25 09IA Z3 | 25 | 70.352.1636.3 | 1 |
| Top cable entry M32 with threaded collar | EX GOT GC 16 M25 09IA Z1 | 32 | 70.354.1636.1 | 1 |
| with strain relief, IP54 →Ø→ 21 – 28.5 mm | EX GOT GC 16 M25 09IA Z3 | 32 | 70.354.1636.3 | 1 |
| 90 V Hoods, size 16Ex with Locking levers without gasket | | | | |
| Lateral cable entry M25 with threaded collar, with Locking levers | EX GOT GD 16 M25 09IA Z1 | 25 | 70.355.1636.1 | 1 |
| with strain relief, IP54 →Ø→ 14 – 20 mm, with Locking levers | EX GOT GD 16 M25 09IA Z3 | 25 | 70.355.1636.3 | 1 |
| Lateral cable entry M32 with threaded collar, with Locking levers | EX GOT GD 16 M32 09IA Z1 | 32 | 70.358.1636.1 | 1 |
| with strain relief, IP54 →Ø→ 21 – 28.5 mm, with Locking levers | EX GOT GD 16 M32 09IA Z3 | 32 | 70.358.1636.3 | 1 |
| Top cable entry M25 with strain relief, IP54 →Ø→ 14 – 20 mm, with Locking levers | EX GOT GC 16 M25 09IA Z3 | 25 | 70.357.1636.3 | 1 |
| Top cable entry M32 with threaded collar, with Locking levers | EX GOT GF 16 M25 09IA Z1 | 32 | 70.359.1636.1 | 1 |
| with strain relief, IP54 →Ø→ 21 – 28.5 mm, with Locking levers | EX GOT GF 16 M25 09IA Z3 | 32 | 70.359.1636.3 | 1 |
| Multipole connectors for cable-to-cable couplings with Locking levers and gasket | | | | |
| Lateral cable entry M25 with strain relief, IP54 →Ø→ 14 – 20 mm | EX GOT GS 16 M25 09IA Z4 | 25 | 99.735.3329.7 | 1 |
| Lateral cable entry M32 with strain relief, IP54 →Ø→ 21 – 28.5 mm | EX GOT GS 16 M32 09IA Z4 | 32 | 99.736.3329.7 | 1 |
| Top cable entry M25 with strain relief, IP54 →Ø→ 14 – 20 mm | EX GOT GR 16 M25 09IA Z4 | 25 | 99.745.3329.7 | 1 |
| Top cable entry M32 with strain relief, IP54 →Ø→ 21 – 28.5 mm | EX GOT GR 16 M32 09IA Z4 | 32 | 99.746.3329.7 | 1 |
| TECHNICAL DATA | | | | |
| Material metal/plastic | Die cast zinc alloy/Cover Polyamide | | | |
| Surface | powder coated, light blue | | | |
| Locking levers | zinc-plated steel | | | |
| Gasket | NBR | | | |
| Degree of protection | | | | |
| with latched locking levers | IP54 | | | |
| with appropriate cable glands | IP65 | | | |
| Temperature range | -20 °C...+60 °C | | | |
| Contact inserts see the product matrix | | | Page 26–27 | |

Special conditions for safe use:

1. The heavy duty connectors must be attached to a device in such a way that a minimum protection rating of IP54 is maintained in accordance with EN 60529.
2. The plug connectors can be used in an ambient temperature ranges of -20 °C to +60 °C.

See section "FACTS&DATA" for handling and assembly of the multipole connectors.

 I M1 Ex ia I

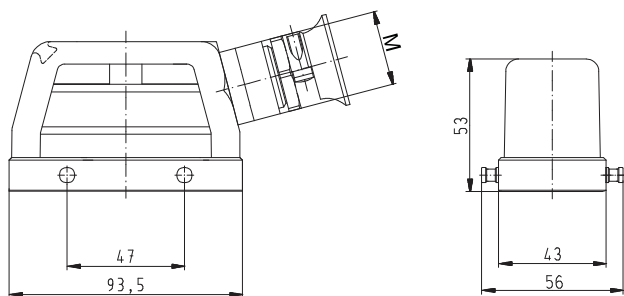
EN 60079-0:2006 EN 60079-11:2007 EN 50303:2000

For assembly instructions, see page 320 and 325.

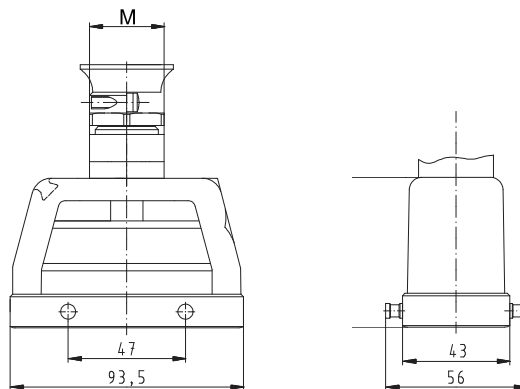
DIMENSIONS

Hoods

Lateral cable entry

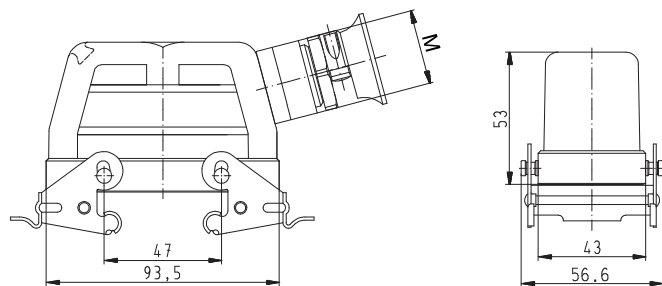


Top cable entry



Multipole connectors for cable-to-cable couplings with Locking levers and gasket

Lateral cable entry



Top cable entry

