

REVOS · BASES

Size 24Ex, double locking lever



open, without cover



closed, without cover
1 cable gland



closed, without cover
1 cable gland, bottom

Description	Type	M	Part No.	P.U.
Bases, size 24Ex	Housing, die cast zinc alloy			
Open-bottom base				
without cover	EX GUT GA 24 09IA Z		70.320.2428.9	1
with cover, without Locking levers	EX GUT GE 24 09IA Z		70.325.2428.9	1
cover with gasket, without Locking levers	EX GUT GX 24 09IA Z		99.704.3329.7	10
Closed-bottom base				
2 cable entries, 2 x M25				
without cover				
with cable gland, IP54, $\rightarrow \text{Ø} \leftarrow 8.5 - 17.5 \text{ mm}$	EX GUT GB 24 M25 09IA Z0	25	70.330.2436.0	1
with cover, without Locking levers				
with cable gland, IP54, $\rightarrow \text{Ø} \leftarrow 8.5 - 17.5 \text{ mm}$	EX GUT GF 24 M25 09IA Z0	25	70.340.2436.0	1
1 cable entry, left, 1 x M25				
without cover				
with cable gland, IP54, $\rightarrow \text{Ø} \leftarrow 8.5 - 17.5 \text{ mm}$	EX GUT GC 24 M25 09IA Z0	25	70.331.2436.0	1
with cover, without Locking levers				
with cable gland, IP54, $\rightarrow \text{Ø} \leftarrow 8.5 - 17.5 \text{ mm}$	EX GUT GG 24 M25 09IA Z0	25	70.341.2436.0	1
1 cable entry, bottom, 1 x M25				
without cover				
with cable gland, IP54, $\rightarrow \text{Ø} \leftarrow 8.5 - 17.5 \text{ mm}$	EX GUT GD 24 M25 09IA Z0	25	70.333.2436.0	1
with cover, without Locking levers				
with cable gland, IP54, $\rightarrow \text{Ø} \leftarrow 8.5 - 17.5 \text{ mm}$	EX GUT GI 24 M25 09IA Z0	25	70.343.2436.0	1

TECHNICAL DATA

Material metal/plastic	Die cast zinc alloy/Cover Polyamide
Surface	powder coated, light blue
Locking levers	zinc-plated steel
Gasket	NBR

Degree of protection

with latched locking levers	IP54
with appropriate cable glands	IP65
Temperature range	-20 °C...+60 °C

Contact inserts see the product matrix

Page 26–27

Special conditions for safe use:

1. The heavy duty connectors must be attached to a device in such a way that a minimum protection rating of IP54 is maintained in accordance with EN 60529.
2. The plug connectors can be used in an ambient temperature ranges of -20 °C to +60 °C.

See section "FACTS&DATA" for handling and assembly of the multipole connectors.

 I M1 Ex ia I

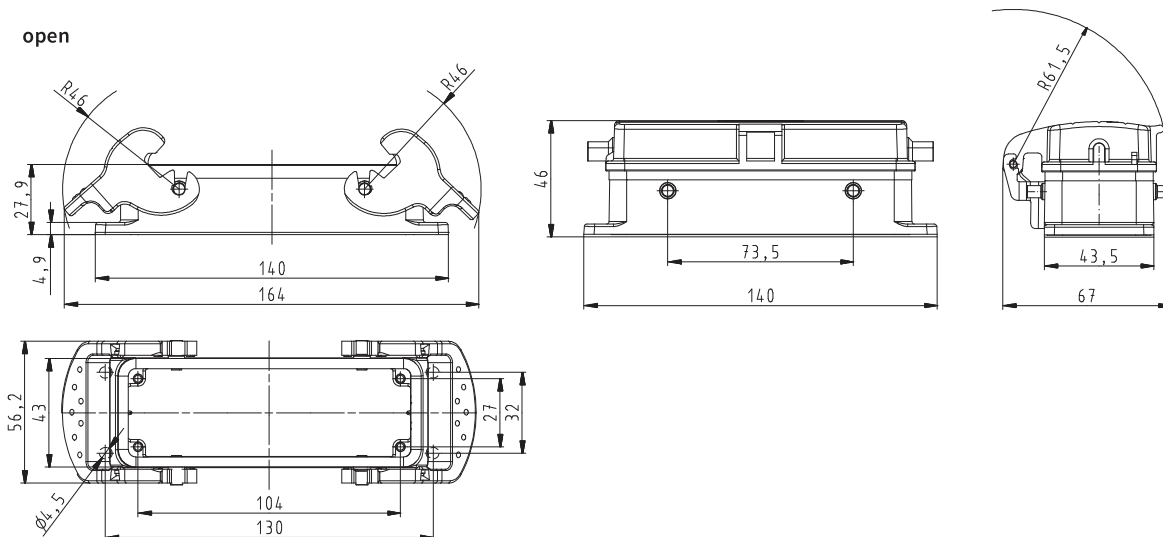
EN 60079-0:2006 EN 60079-11:2007 EN 50303:2000

For assembly instructions, see page 320 and 325.

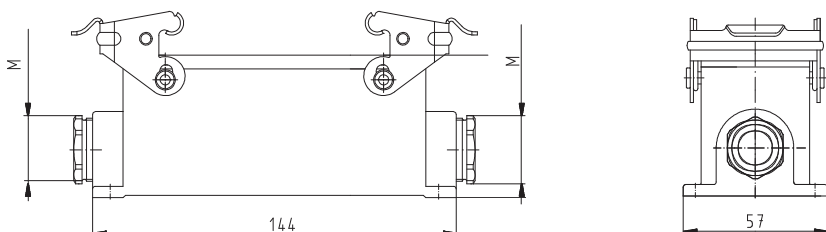
DIMENSIONS

Bases

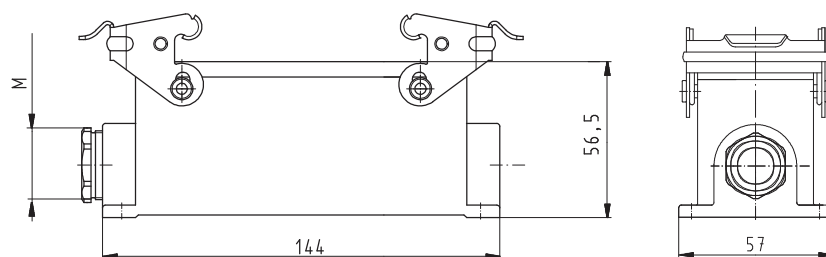
open



closed, 2 cable glands



closed, 1 cable gland



closed, 1 cable gland, bottom

