



Similar to illustration



Similar to illustration



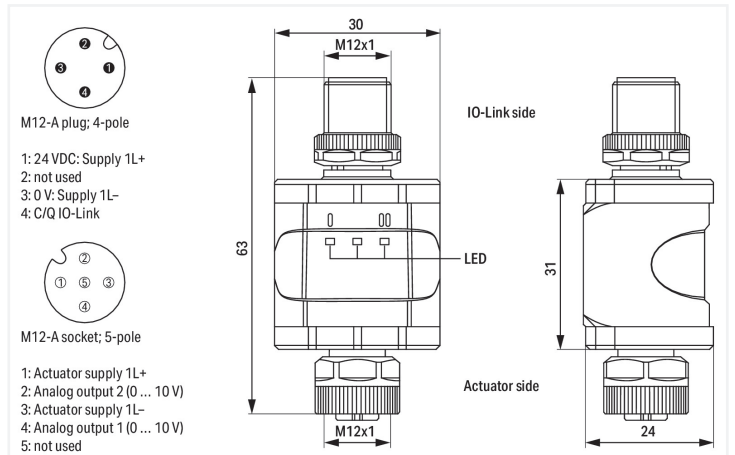
Similar to illustration



Similar to illustration



Similar to illustration



Application area:
 Decentralized pre-processing and output of analog signals

This device controls a connected actuator or any other unit that has an analog input (0 ... 10 V).
 The device has two analog voltage outputs.

Use as an IO-Link device:
 The device has an IO-Link communication interface that requires an IO-Link-capable module (IO-Link master) for interoperation.
 The IO-Link interface allows direct access to the process and diagnostic data and enables setting of the device parameters during operation.

Notes

Note	Length of connection cables: 20 m
------	-----------------------------------

Technical data

General information

Supply voltage	24 VDC (18 ... 30 V)
Current consumption (max.)	300 mA
Operating mode	IO-Link
Accuracy (+25 °C)	0.25 % of output range end value
Indicators	Analog output: 2 x yellow LED; Power: 1 x green LED

Output

Number of analog outputs	2
Signal type (voltage)	0 ... 10 VDC
Load impedance (voltage output)	≤ 3 kΩ

IO-Link

Communications	IO-Link Class A/B
Transmission modes	COM2 (38.4 kBaud)
IO-Link version	1.1
Process data	2 x 16-bit OUT (analog)
Cycle time	3.6 ms (min.)
Parameterizable functions	Application-specific identifier; system identifier; location identifier

Connection data

Connection technology: inputs/outputs	1 x M12-A socket; 5-pole (outputs, double assignment); 1 x M12-A plug; 4-pole (IO-Link)
---------------------------------------	---

Physical data

Width	30 mm
Height	63 mm
Depth	24 mm

Mechanical data

Weight	91 g
Housing material	PA

Environmental requirements

Ambient temperature (operation)	-25 ... +70 °C
Ambient temperature (storage)	-25 ... +70 °C
Protection type	IP67
Operating altitude	0 ... 4000 m
Pollution degree	2

Approvals/Tests

Conformity marking	CE; UKCA
MTTF	373 years

Commercial data

ETIM 9.0	EC001596
ETIM 8.0	EC001596
PU (SPU)	1 pcs
Packaging type	Box
Country of origin	DE
Customs tariff number	85176200000

Environmental Product Compliance

RoHS Compliance Status	Compliant, No Exemption
------------------------	-------------------------

Approvals / Certificates

General approvals



Approval	Standard	Certificate Name
EAC GZO Almaty Standart	TP TC 020/2011	EAC CoC 03083
UL Underwriters Laboratories Inc. (ORDINARY LOCATIONS)	UL 61010-2-201	E175199

Declarations of conformity and manufacturer's declarations

Approval	Standard	Certificate Name
EU-Declaration of Conformity WAGO GmbH & Co. KG	-	-
UK-Declaration of Conformity WAGO GmbH & Co. KG	-	-

Downloads

Environmental Product Compliance

Compliance Search

Environmental Product
Compliance
765-2704/200-000



Documentation

Manual

2-Channel Analog Output; IO-Link Converter; V 2.0.0
28.10.2022 pdf
4433.90 KB



CAD/CAE-Data

CAD data

2D/3D Models
765-2704/200-000



Libraries

Device Description File

IODD	V1.0.0.4	zip
765-2704/200-000	05.06.2023	88.83 KB



1 Compatible Products

1.1 Optional Accessories

1.1.1 Mounting adapter

1.1.1.1 Mounting accessories



[Item No.: 765-101/000-000](#)

Mounting Clip