

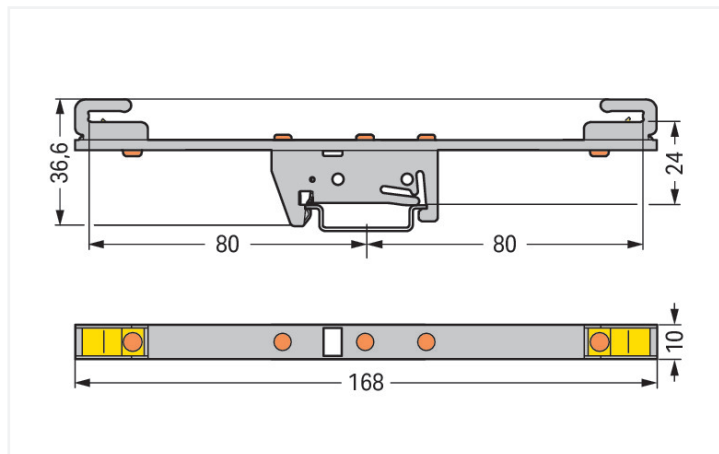
Data Sheet | Item Number: 790-312

Busbar carrier; for busbars Cu 10 mm x 3 mm; both sides, straight; for DIN 35 rail; silver-colored

<https://www.wago.com/790-312>



Color: ■ silver-colored



Dimensions in mm

Material data

Color	silver-colored
Fire load	0 MJ
Weight	39.6 g

Commercial data

Product Group	2 (Terminal Block Accessories)
eCl@ss 10.0	27-40-06-07
eCl@ss 9.0	27-40-06-07
ETIM 9.0	EC001166
ETIM 8.0	EC001166
PU (SPU)	10 pcs
Packaging type	Box
Country of origin	DE
GTIN	4050821695233
Customs tariff number	39269097900

Environmental Product Compliance

RoHS Compliance Status	Compliant, No Exemption
------------------------	-------------------------

Processing temperature (min.)	-35 °C
Processing temperature (max.)	85 °C
Processing temperature	-35 ... +85 °C
Continuous operating temperature from	-60 °C
Continuous operating temperature up to	105 °C
Continuous operating temperature	-60 ... +105 °C

Downloads

Environmental Product Compliance

Compliance Search

Environmental Product Compliance 790-312



Documentation

Bid Text

790-312	19.02.2019	xml 2.67 KB	
790-312	28.11.2018	doc 23.50 KB	

CAD/CAE-Data

CAD data

2D/3D Models 790-312



CAE data

EPLAN Data Portal 790-312



WSCAD Universe 790-312



ZUKEN Portal 790-312



1 Compatible Products

1.1 Optional Accessories

1.1.1 N-busbar

1.1.1.1 Mounting accessories



Item No.: 210-133

Busbar; tin-plated; 1000 mm long; Cu 10 mm x 3 mm; white

Item No.: 790-134

Busbar; tin-plated; 50 mm long; Cu 10 mm x 3 mm; silver-colored