

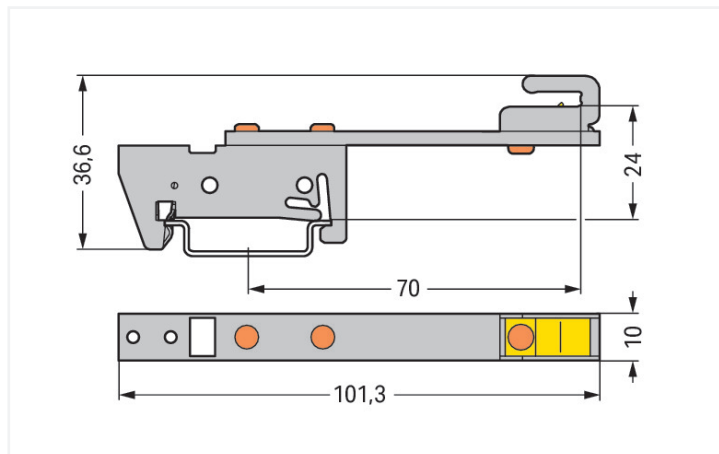
Data Sheet | Item Number: 790-300

Busbar carrier; for busbars Cu 10 mm x 3 mm; single side, straight; for DIN 35 rail; silver-colored

<https://www.wago.com/790-300>



Color: ■ silver-colored



Dimensions in mm

Material data

Color	silver-colored
Fire load	0 MJ
Weight	37.5 g
Material	Coated steel Stainless steel Copper (Cu)

Commercial data

Product Group	2 (Terminal Block Accessories)
eCl@ss 10.0	27-40-06-07
eCl@ss 9.0	27-40-06-07
ETIM 8.0	EC001166
ETIM 7.0	EC001166
PU (SPU)	10 pcs
Packaging type	Box
Country of origin	DE
GTIN	4045454415891
Customs tariff number	39269097900

Environmental Product Compliance

RoHS Compliance Status	Compliant, No Exemption
------------------------	-------------------------

Processing temperature (min.)	-35 °C
Processing temperature (max.)	85 °C
Processing temperature	-35 ... +85 °C
Continuous operating temperature from	-60 °C
Continuous operating temperature up to	105 °C
Continuous operating temperature	-60 ... +105 °C

Downloads

Environmental Product Compliance



Compliance Search

Environmental Product
Compliance 790-300



Documentation

Bid Text

790-300	19.02.2019	xml 2.69 KB	
790-300	28.11.2018	doc 23.00 KB	

CAD/CAE-Data

CAD data

2D/3D Models 790-300



CAE data

EPLAN Data Portal
790-300



WSCAD Universe
790-300



ZUKEN Portal 790-300



1 Compatible Products

1.1 Optional Accessories

1.1.1 N-busbar

1.1.1.1 Mounting accessories



Item No.: 210-133

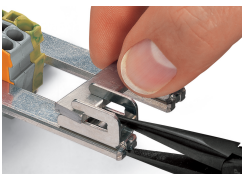
Busbar; tin-plated; 1000 mm long; Cu 10 mm x 3 mm; white



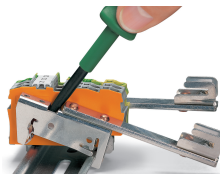
Item No.: 790-134

Busbar; tin-plated; 50 mm long; Cu 10 mm x 3 mm; silver-colored

Installation Notes



To remove the busbar, compress the spring using pliers.



Remove the busbar carrier using an operating tool (type 3, 5.5 x 0.8 mm blade).

Subject to changes. Please also observe the further product documentation!

Current addresses can be found at: www.wago.com