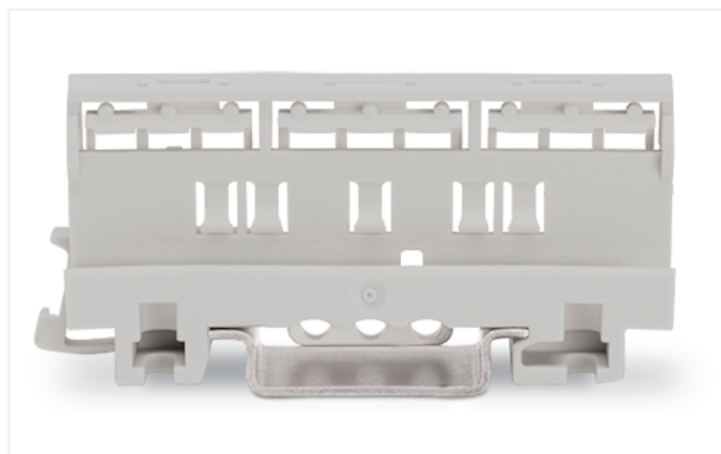
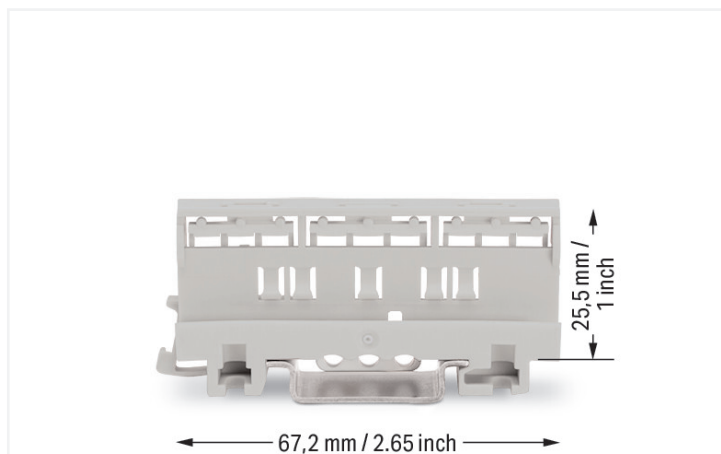


Data Sheet | Item Number: 221-501

Mounting carrier; for Ex applications; 221 Series - 4 mm²; for DIN-35 rail mounting/
screw mounting; light gray

<https://www.wago.com/221-501>



Color: ■ light gray

Physical data

Width	17.5 mm / 0.689 inches
Height	69.9 mm / 2.752 inches
Depth from upper-edge of DIN-rail	25.5 mm / 1.004 inches
Depth	32 mm / 1.26 inches

Mechanical data

Mounting type	DIN-35 rail Screw mount
Suitable	for 2-, 3- and 5-conductor 221 Series Ex Splicing Connectors (4 mm ²)

Material data

Note (material data)	Information on material specifications can be found here
Color	light gray
Material group	I
Insulation material (main housing)	Polyamide (PA66)
Flammability class per UL94	V0
Fire load	0.292 MJ
Weight	9.7 g

Commercial data

eCl@ss 10.0	27-14-11-92
eCl@ss 9.0	27-14-11-92
ETIM 9.0	EC002848
ETIM 8.0	EC002848
PU (SPU)	50 (10) pcs
Packaging type	Box
Country of origin	CN
GTIN	4055143753449
Customs tariff number	39269097900

Environmental Product Compliance

RoHS Compliance Status Compliant, No Exemption

Approvals / Certificates

Approvals for hazardous areas



Approval	Standard	Certificate Name
AEx Underwriters Laboratories Inc.	UL 60079	E185892 (AEx eb IIC resp. Ex eb IIC)
ATEX Physikalisch Technische Bundesanstalt	EN IEC 60079-0	PTB 18 ATEX 1019 U (II 2 G Ex eb IIC Gb, I M 2 Ex eb I Mb)
IECEX Physikalisch Technische Bundesanstalt	IEC 60079	IECEX PTB 18.0045U (Ex eb IIC Gb, Ex eb I Mb)
INMETRO TÜV Rheinland do Brasil Ltda.	IEC 60079	TÜV 19.1781 U

Downloads

Environmental Product Compliance

Compliance Search

Environmental Product Compliance 221-501	↓
--	---

Documentation

Bid Text

221-501	21.05.2019	xml 2.81 KB	↓
221-501	21.05.2019	docx 14.44 KB	↓
ausschreiben.de 221-501			↓

CAD/CAE-Data

CAD data

2D/3D Models 221-501	↓
----------------------	---

CAE data

EPLAN Data Portal 221-501	↓
ZUKEN Portal 221-501	↓

1 Compatible Products

1.1 Optional Accessories

1.1.1 Marking

1.1.1.1 Marking strip

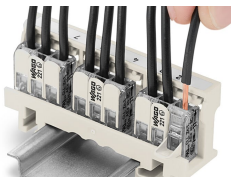


Item No.: 210-833

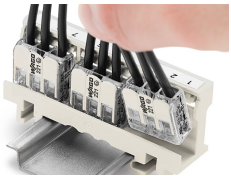
Marking strips; 25 m on roll; 6 mm wide; plain; Self-adhesive; white

Installation Notes

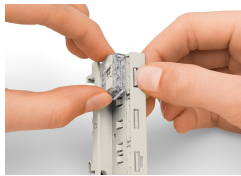
Conductor termination



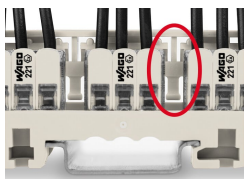
Removing a conductor.



Inserting a connector into the mounting carrier.



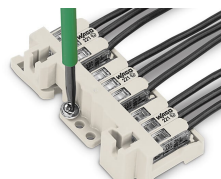
Removing a connector from the mounting carrier.



Mounting type (440 V)
Using spacers between the connectors.



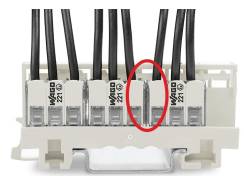
Mounting type (440 V)
Vertical mounting on DIN-35 rail



Mounting type (440 V)
Horizontal screw mounting on a flat surface



Mounting type (440 V)
Mounting the carrier via non-conductive screws.

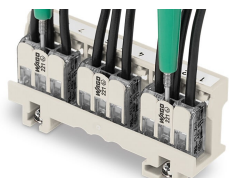


Mounting type (275 V)
No spacers are used between the connectors.



Mounting type (275 V)
Mounting the carrier using conductive screws.

Testing



Easily test inserted connectors in the carrier – however they are mounted.