

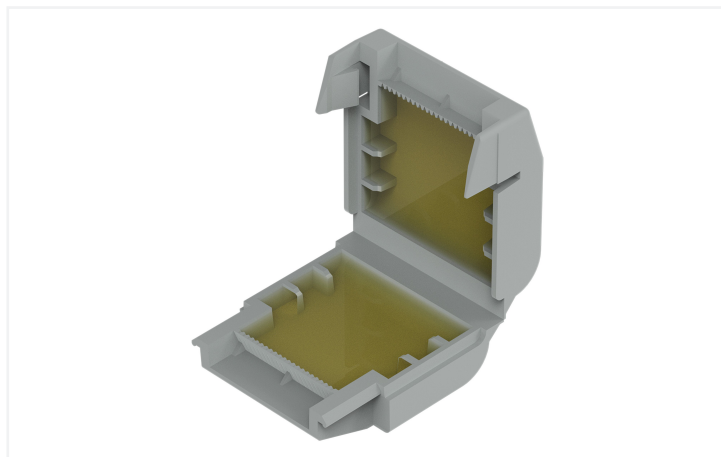
**Data Sheet | Item Number: 207-1331**

Gelbox; Branch; for cables; with gel; 221, 2x73 Series; max. 4 mm<sup>2</sup> connectors; without splicing connectors; Size 1; gray

<https://www.wago.com/207-1331>



Color: ■ gray



### Application Examples

- Bathroom installation (DIN VDE 0100-701)
- Washing facilities/irrigation systems
- Farms and garden centers (DIN VDE 0100-0705)
- Swimming pool areas (DIN VDE 0100-702)
- Parking lot lighting
- Charging stations and lighting systems in ports

### Note on Packaging Unit (PU) and Subpackaging Unit (SPU):

If you order a full PU, you will receive our eco-friendly, sustainable cardboard blisters packed in a shelf-ready box.

If you order a quantity smaller than a full PU, you will receive the eco-friendly, sustainable cardboard blisters without a shelf-ready box.

Please refer to the system description for the splicing connectors that can be used.

### Your Benefits:

- Easy, fast and safe to use
- Can be used immediately and accessed again later
- Silicon-free
- Label-free
- Suitable for indefinite storage
- The complete system, which consists of gelboxes and WAGO splicing connectors, has been VDE-tested and IPX8-certified.

### Connection data

#### Connection 1

Actuation type	Locking system
----------------	----------------

### Physical data

Width	32 mm / 1.26 inches
Height	17.8 mm / 0.701 inches
Depth	33.6 mm / 1.323 inches

### Mechanical data

Design	Size 1
Mounting type	Flying leads
Protection type	IPX8
Suitable	for 4 mm <sup>2</sup> splicing connectors

### Material data

Note (material data)	<a href="#">Information on material specifications can be found here</a>
Color	gray
Housing material	Polypropylene
Fire load	0 MJ
Weight	12 g

**Environmental requirements**

Ambient temperature (operation)	-55 ... +85 °C
Ambient temperature (storage)	0 ... +40 °C


**Commercial data**

ETIM 9.0	EC001170
ETIM 8.0	EC001170
PU (SPU)	48 (4) pcs
Packaging type	Box
Country of origin	DE
GTIN	4055143997799
Customs tariff number	85389099990

**Environmental Product Compliance**

RoHS Compliance Status	Compliant, No Exemption
------------------------	-------------------------

**Approvals / Certificates**

General approvals			Declarations of conformity and manufacturer's declarations		
					
Approval	Standard	Certificate Name	Approval	Standard	Certificate Name
VDE VDE Prüf- und Zertifizierungsinstitut	EN 60998	400051938	EU-Declaration of Conformity WAGO GmbH & Co. KG	-	-
			UK-Declaration of Conformity WAGO GmbH & Co. KG	-	-

**Downloads**

**Environmental Product Compliance**

Compliance Search	
Environmental Product Compliance 207-1331	<a href="#">↓</a>

**Documentation**

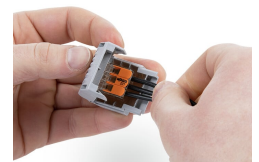
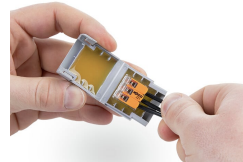
System Description			Additional Information		
System Description 207 Series Gel boxes	pdf 1156.45 KB	<a href="#">↓</a>	Certificate	pdf 2308.76 KB	<a href="#">↓</a>
System Description 207 Series Gel boxes	pdf 1191.37 KB	<a href="#">↓</a>	DLG Test Report 7438	pdf 1455.46 KB	<a href="#">↓</a>

Bid Text		
207-1331	xml 3.58 KB	↓
207-1331	docx 20.35 KB	↓

CAD/CAE-Data	
<b>CAD data</b>	<b>CAE data</b>
2D/3D Models 207-1331	ZUKEN Portal 207-1331
↓	↓

## Installation Notes

### Installation



Open the Gelbox at the side latches.

Place the wired connector in the Gelbox.

Place the wired connector in the Gelbox.

Close the Gelbox.



Close latch securely.

Re-accessible:

- Open the Gelbox.
- Remove the gel.
- Rewire with new components.



Lift the flap and pull the cover perforation forward.

Press in the perforation on the sides.

Tear off the cover from the perforation.

As a counter display: Bend the rear flap at the fold, straighten it and fix it in the cardboard cut-out



If the flap is not required, tear off from the perforation.