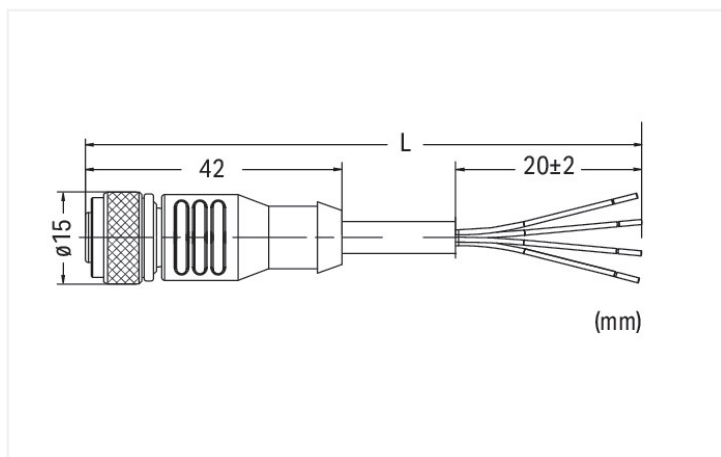
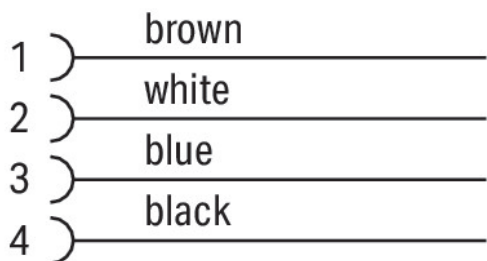


Pin 1 ... 4: 0.75 mm<sup>2</sup>



Dimensions in mm

**Short description:**

- PUR, halogen-free
- UL / CSA
- Suitable for drag chains
- Silicon- and CFC-free
- High resistance to microbes, hydrolysis, oil, chemicals and UV radiation
- High chemical resistance
- Cable used: UL listed

**Technical data**

Connection type	M12 Socket - free end
Pole number	4
Cable connection direction to mating direction	0°
Connector interface coding (cable/adaptor) 1 1	A-coded
Cable length	2 m
PLC manufacturer	WAGO
Operating voltage	250 VAC/DC
Operating current	4 A
Rated surge voltage	2.5 kV
Contact resistance	10 mΩ
Insulation resistance	>10 <sup>9</sup> Ω
Conductor resistance	≤ 26 Ω/km

### Mechanical data

Bending radius	10 x cable diameter (min.) for flexible application
Bending cycles	4 million
Drag chain capability	Yes
Type code	Lif9YH-11YH 4x0.75 mm <sup>2</sup>
Conductor configuration	Bare copper wire (40 x 0.15 mm)
Conductor insulation	PP9Y (halogen-free)
Housing material	TPU/TPU, black (~ RAL 9005)
Tightening torque	1 Nm
Weight	130 g

### Environmental requirements

Ambient (operating) temperature (dynamic)	-30 ... +80 °C
Ambient (operating) temperature (static)	-30 ... +80 °C
Protection type	IP67
Pollution degree	3/2 per IEC 60664-1
Fire load	0 MJ

### Commercial data

eCl@ss 10.0	27-06-18-01
eCl@ss 9.0	27-06-18-01
ETIM 9.0	EC001855
ETIM 8.0	EC001855
PU (SPU)	1 pcs
Packaging type	Box
Country of origin	DE
GTIN	4045454772383
Customs tariff number	85444290900
End of Sale	2024-05-01
End of Production	2024-05-15
End of Delivery	2024-06-01
End of Service and Repair	2025-06-01

### Environmental Product Compliance

CAS-No.	7439-92-1
REACH Candidate List Substance	Lead
RoHS Compliance Status	Compliant,With Exemption
RoHS Exemption	6(c)
SCIP notification number (Austria)	ab3acad7-0109-4c0f-b9ec-17cf1a76e972
SCIP notification number (Belgium)	81493ad8-5fd7-46e7-97e9-08c4b515db5e
SCIP notification number (Bulgaria)	f3fa3127-7e86-4bf2-a003-ec5c0f8fc85a
SCIP notification number (Czech Republic)	8085b96a-9791-4bef-8b86-7a0d49b545d3
SCIP notification number (Denmark)	756ff04c-18cc-4ba3-bc18-87088de43724
SCIP notification number (Finland)	ca269dc9-9222-4dc7-8c37-38300a3e6e31
SCIP notification number (France)	c43e38b2-d295-4e02-b59a-bd3ead8ce482
SCIP notification number (Germany)	167d3f5b-b695-4c85-a63d-be65e47cd102
SCIP notification number (Hungary)	078a763d-c54b-4f82-9edc-7d4f543087df
SCIP notification number (Italy)	a44bc328-bc34-41f3-bd06-d5b43a49461a
SCIP notification number (Netherlands)	434b730c-7b16-4ef4-be63-02c7d2ddadd9
SCIP notification number (Poland)	bedc1eb3-59c3-44d5-ad29-fe023124a3f1
SCIP notification number (Romania)	cbb8e338-1ea2-4f92-af73-3dfeac2fc4ea
SCIP notification number (Sweden)	484a8cbc-cf35-4155-873d-2ed775a8127e

### Approvals / Certificates

#### General approvals



Approval	Standard	Certificate Name
UL Underwriters Laboratories Inc.	UL 2238	E519602

### Downloads

#### Environmental Product Compliance

##### Compliance Search

Environmental Product Compliance 756-3101/040-020	
---	--

### Documentation

#### System Description

I/O-SYSTEM – SPEED- WAY, General Product Information	pdf 1035.20 KB	
--	-------------------	--

### CAD/CAE-Data

#### CAE data

WSCAD Universe 756-3101/040-020	
------------------------------------	--