

Data Sheet | Item Number: 221-612/K000-0002

Splicing connector with levers; for all conductor types; max. 6 mm<sup>2</sup>; 2-conductor; transparent housing; Surrounding air temperature: max 85°C (T85); 6,00 mm<sup>2</sup>; transparent

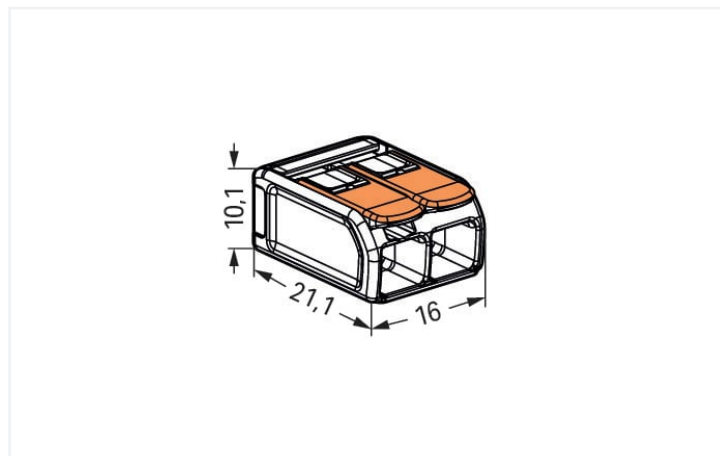


<https://www.wago.com/221-612/K000-0002>



Color:  transparent





Dimensions in mm

Your benefits:

- Ease of use – pull the lever up, insert a conductor and push the lever back down
- Available as 2-, 3- and 5-wire connectors
- Easily terminate conductors from 0.5 to 6 mm<sup>2</sup>
- Connection of all conductor types
- Time savings for installers and device manufacturers
- Quickly install devices with higher power consumption
- Safely install long cable runs with larger conductor cross sections
- Mounting carrier for installation conforms to standards
- Custom carriers are possible

**Notes**

Safety Information

in grounded power lines

## Electrical data

### Ratings per IEC/EN

Ratings per	EN 60664
Nominal voltage (II/2)	450 V
Rated surge voltage (II/2)	4 kV
Rated current	41 A
Legend (ratings)	(II / 2) $\triangleq$ Overvoltage category II / Pollution degree 2

### Ratings per UL

Approvals per	UL 486C
Rated voltage UL (Use Group C)	600 V
Rated current UL (Use Group C)	30 A

## Connection data

Clamping units	2
Total number of potentials	1

### Connection 1

Connection technology	CAGE CLAMP®
Actuation type	Lever
Connectable conductor materials	Copper
Nominal cross-section	6 mm <sup>2</sup> / 10 AWG
Solid conductor	0.5 ... 6 mm <sup>2</sup> / 20 ... 10 AWG
Stranded conductor	0.5 ... 6 mm <sup>2</sup> / 20 ... 10 AWG
Fine-stranded conductor	0.5 ... 6 mm <sup>2</sup> / 20 ... 10 AWG
Strip length	12 ... 14 mm / 0.47 ... 0.55 inches
Wiring direction	Side-entry wiring

## Physical data

Width	16 mm / 0.63 inches
Height	10.1 mm / 0.398 inches
Depth	21.1 mm / 0.831 inches

## Material data

Color	transparent
Cover color	transparent
Material group	IIIa
Insulation material (main housing)	Polycarbonate (PC)
Flammability class per UL94	V2
Fire load	3.2 MJ
Actuator color	orange
Weight	190 g

## Environmental requirements


Ambient temperature (operation)	+85 °C
Temperature marking per EN 60998	T85

Commercial data	
ETIM 9.0	EC000446
ETIM 8.0	EC000446
PU (SPU)	6 (1) pcs
Packaging type	Shipping tube
GTIN	4066966190526

Environmental Product Compliance	
RoHS Compliance Status	Compliant, No Exemption

## Downloads

### Environmental Product Compliance

Compliance Search
Environmental Product Compliance 221-612/K000-0002 

## 1 Compatible Products

### 1.1 Optional Accessories

#### 1.1.1 General accessories

##### 1.1.1.1 Moisture protection



**Item No.: 207-1431**  
 Gelbox; Branch; for cables; with gel; 221 Series; max. 6 mm² connectors; without splicing connectors; Size 1; gray



**Item No.: 207-1432**  
 Gelbox; Branch; for cables; with gel; 221 Series; max. 6 mm² connectors; without splicing connectors; Size 2; gray



**Item No.: 207-1433**  
 Gelbox; Branch; for cables; with gel; 221 Series; max. 6 mm² connectors; without splicing connectors; Size 3; gray

#### 1.1.2 Jumper

##### 1.1.2.1 Jumper



**Item No.: 221-941/000-006**  
 Jumper; for conductor entry; 2-way; insulated; blue



**Item No.: 221-942/000-006**  
 Jumper; for conductor entry; 2-way; insulated; blue



**Item No.: 221-941**  
 Jumper; for conductor entry; 2-way; insulated; dark gray



**Item No.: 221-942**  
 Jumper; for conductor entry; 2-way; insulated; dark gray

#### 1.1.3 Mounting adapter

##### 1.1.3.1 Mounting accessories



**Item No.: 221-510/000-006**  
 Mounting carrier; 221 Series - 6 mm²; for DIN-35 rail mounting/screw mounting; blue



**Item No.: 221-510/000-053**  
 Mounting carrier; 221 Series - 6 mm²; for DIN-35 rail mounting/screw mounting; dark gray-yellow



**Item No.: 221-510**  
 Mounting carrier; 221 Series - 6 mm²; for DIN-35 rail mounting/screw mounting; orange

Subject to changes. Please also observe the further product documentation!

Current addresses can be found at: [www.wago.com](http://www.wago.com)