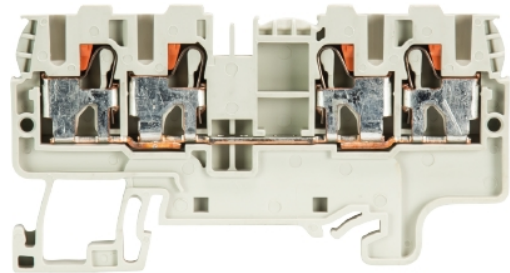


Data sheet

Commercial Art.No.: 56.203.5155.0

feed-through terminal WTP 2,5/4 D2/2

Feed-through terminal with push in connection for mounting on TS 35, nominal cross section: 2,5 mm², width: 5 mm, color: grey



| | |
|--------------------|---------------|
| Commercial Art.No. | 56.203.5155.0 |
| EAN | 4049088181191 |
| Order Unit | 100 |

certificates / approvals



Technical data

general

| | |
|--|-------------------------|
| nominal cross section | 4 mm ² |
| color | grey |
| number of clamp positions per level | 4 |
| width/grid dimension | 5 mm |
| insulating housing | PA666 |
| flammability class of insulation material acc. with UL94 | V0 |
| mounting method | DIN rail (top hat rail) |

technical data

| | |
|-----------------------------|---------------|
| rated current | 32 A |
| rated voltage | 800 V |
| rated impulse voltage | 8 kV |
| pollution degree | 3 |
| closing plate required | yes |
| type of insulation material | thermoplastic |
| length | 72 mm |

connection data

| | |
|-----------------------------|---------------------|
| connection type | plug-in connection |
| connection type 1 | plug-in connection |
| minimum cross section solid | 0.2 mm ² |
| maximum cross section solid | 4 mm ² |

| | |
|---|---------------------|
| minimum cross section fine stranded | 0.2 mm ² |
| maximum cross section fine stranded | 4 mm ² |
| minimum cross section stranded | 0.2 mm ² |
| maximum cross section stranded | 4 mm ² |
| minumum conductor cross section (flex., stranded) with cable end sleeve | 0.2 mm ² |
| maximum conductor cross section (flex., stranded) with cable end sleeve | 4 mm ² |
| wire strip length | 11 mm |

technical data UL/CSA

| | |
|------------------------|-----------|
| cross section UL | 24-12 AWG |
| voltage UL | 600 V |
| current factory wiring | 30 A |
| current field wiring | 20 A |
| cross section CSA | 22-12 AWG |
| voltage CSA | 600 V |
| current CSA | 20 A |

additional data

| | |
|-------------------------|---|
| remark to rated voltage | in use with IVE WKF 2,5-... rated voltage 630 V |
|-------------------------|---|

classification

| | |
|------------|----------|
| ECLASS 11 | |
| ECLASS 8.1 | 27141120 |
| ETIM 9.0 | EC000897 |
| ETIM 8.0 | EC000897 |
| ETIM 7.0 | EC000897 |
| ETIM 6.0 | EC000897 |
| ETIM 5.0 | EC000897 |
| ETIM 4.0 | EC000897 |
| ETIM 3.0 | EC000897 |

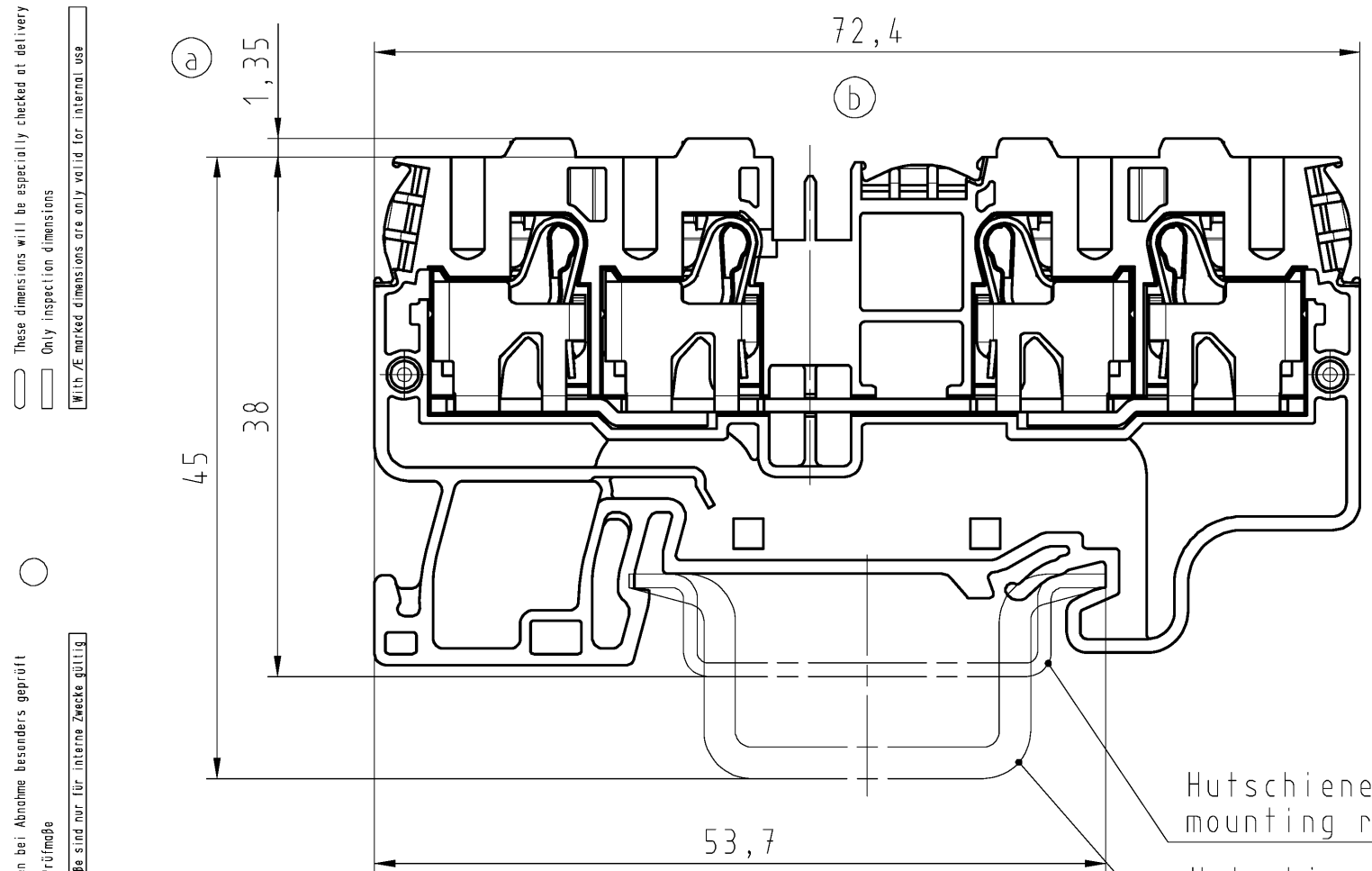
product compliance

| | |
|------------------------------|-----------|
| ROHS conformity status | compliant |
| REACH-SVHC conformity status | compliant |

Accessories

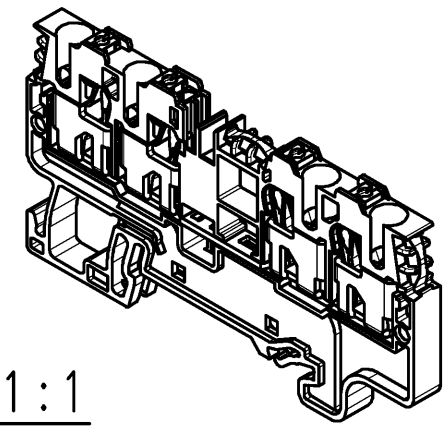
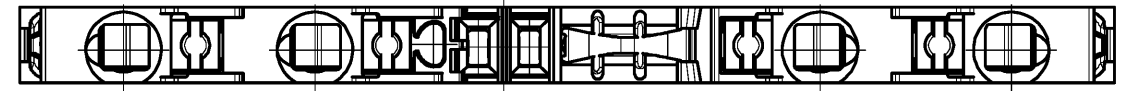
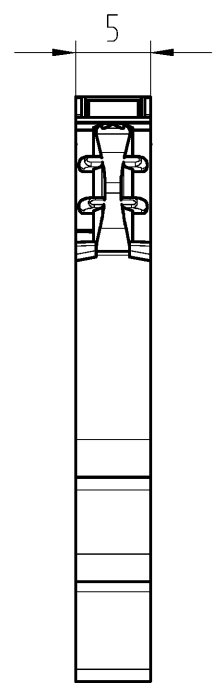
| Commercial Art.No.: | Article-type description: | Description: |
|---------------------|---------------------------|---|
| Z7.280.6227.0 | jumper bar IVBWKF 2,5- 2 | Cross connector, insulated for DIN rail terminal blocks type WKF..., 2 - pole |
| Z7.280.6327.0 | jumper bar IVBWKF 2,5- 3 | Cross connector, insulated for DIN rail terminal blocks type WKF..., 3 - pole |
| Z7.280.6427.0 | jumper bar IVBWKF 2,5- 4 | Cross connector, insulated for DIN rail terminal blocks type WKF..., 4 - pole |
| Z7.280.6527.0 | jumper bar IVBWKF 2,5- 5 | Cross connector, insulated for DIN rail terminal blocks type WKF..., 5 - pole |
| Z7.280.6627.0 | jumper bar IVBWKF 2,5- 6 | Cross connector, insulated for DIN rail terminal blocks type WKF..., 6 - pole |

| | | |
|---------------|--|---|
| Z7.280.6727.0 | jumper bar IVBWKF 2,5- 7 | Cross connector, insulated for DIN rail terminal blocks type WKF..., 7 - pole |
| Z7.280.6827.0 | jumper bar IVBWKF 2,5- 8 | Cross connector, insulated for DIN rail terminal blocks type WKF..., 8 - pole |
| Z7.280.6927.0 | jumper bar IVBWKF 2,5- 9 | Cross connector, insulated for DIN rail terminal blocks type WKF..., 9 - pole |
| Z7.280.7027.0 | jumper bar IVBWKF 2,5- 10 | Cross connector, insulated for DIN rail terminal blocks type WKF..., 10 - pole |
| 07.312.7155.0 | end plate APFN 2,5 D2/2/35 | End plate for DIN rail terminal blocks type WKFN 2,5 D2/2..., color: grey |
| 07.312.7255.0 | partition TWFN 2,5 D2/2/35 | Partition for DIN rail terminal blocks type WKFN 2,5 D2/2..., color: grey |
| Z7.280.7127.0 | jumper bar IVBWKF 2,5- 11 | Cross connector, insulated for DIN rail terminal blocks type WKF..., 11 - pole |
| Z7.280.7227.0 | jumper bar IVBWKF 2,5- 12 | Cross connector, insulated for DIN rail terminal blocks type WKF..., 12 - pole |
| Z7.280.8027.0 | jumper bar IVBWKF 2,5- 20 | Cross connector, insulated for DIN rail terminal blocks type WKF..., 20 - pole |
| 04.344.2355.8 | warning cover AD WTP 2,5 | Cover with warning symbol for DIN rail terminal blocks type WTP 2,5, color yellow |
| 05.564.3755.0 | wire entry guides LEL 2,5/1 white | Wire entry guides for wires with a nominal cross section of 0.13mm ² -0.20mm ² , color: white |
| 04.242.5053.0 | marking tag strips 9705 A / 5 / 10 | Marking tag strips for DIN rail terminal blocks type 9700 A / 5..., 10 tags per strip, color: white, unmarked, markable with Wieplot plotter-system |
| 98.300.1000.0 | mounting rail TS 35x7,5 PERF 15mm - l:2000mm | Mounting rail TS 35, slotted, size 7,5 mm, length 2 m, material steel. galv. zinc-plated and passivated |



Hutschiene EN 60715-35x7,5
 mounting rail EN 60715-35x7,5

Hutschiene EN 60715-35x15
 mounting rail EN 60715-35x15



M 1:1
 scale 1:1

These dimensions will be especially checked at delivery
 Only inspection dimensions
 With ±E marked dimensions are only valid for internal use

Diese Maße werden bei Abnahme besonders geprüft
 Ausschließlich Prüfmaße
 Mit ±E gekennzeichnete Maße sind nur für interne Zwecke gültig

Weitergabe sowie Vervielfältigung dieses Dokuments, Verwertung und Mitteilung seines Inhalts sind verboten, soweit nicht ausdrücklich gestattet. Die Reproduktion, Distribution und Utilization of this document as well as the communication of its contents to others without express authorization is prohibited.

| Teile - Nr. part - no. | Farbe colour | Typ type |
|---------------------------|-------------------------|---------------------|
| 56.203.5155.0 | grau grey | WTP 2,5/4 D2/2 |
| 56.203.5155.6 | lichtblau light blue | WTP 2,5/4 D2/2 BLUE |

| | | | | | | | |
|---|--|---|--|---|-------------------------------|---|--|
| Tolerierung Size ISO 14405 (E)/Tolerance system Size ISO 14405 (E). (This ISO-standard describes the envelope principle. According to the envelope principle the deviations of form and parallelism are limited by the size tolerances). | | | | ja/yes <input checked="" type="checkbox"/> Stoffverbots- und Deklarationsliste nach UU-TQM-05/03 ist einzuhalten. Conformity with Wieland document UU-TQM-05/03 (list of prohibited / declarable hazardous substances) to be declared! | | | |
| Freitoleranz nach - General tolerance | | CAD - Zeichnung, keine manuellen Änderungen CAD - drawing, no manual modifications allowed | | 1. Verwendung: - First Use: | | Blatt: 1 von 1 Sheet: of | |
| | | Werkstoff/Material | | 2012 | Tag/Date | Name | |
| | | | | gezeichnet drawn | 04.10. | Lang O. | |
| | | Maßstab/Scale | | geprüft checked | - | - | |
| | | 2:1 | | Normgepr. Stand. check | - | - | |
| c | | 16.04.2015/ | Vol. mm ³ Of l./Surf. mm ² | Ersatz für/Replacement for: - | | | |
| b | | 12.11.2014/ | | | Type | Benennung/Title | |
| a | | 27.03.2014/ | | | siehe Tabelle see table | FEED_THROUGH_TB Durchgangsklemme Push In Terminal | |
| Index | | Datum / Blatt Date / Sheet | | | | | |
| Änderung/Revision | | www.wieland-electric.com | | | | | |