

## Data sheet

Commercial Art.No.: 83.040.0130.0

IP switch WIENET UMS 5G

wieNET IP Switch, 5 TP-RJ45-Ports, transfer rate 10/100/1000 MBit/s, unmanaged switch, Autonegotiation, Autosensing, Autocrossing-function, redundant power supply, supply voltage: 12-52 V, vertical mount



Commercial Art.No.	83.040.0130.0
EAN	4049088468728
Order Unit	1

certificates / approvals



## Technical data

### Allgemein

mounting method	DIN rail (top hat rail)
degree of protection (IP)	IP30
housing material	metal
manageable	no
ethernet	yes
power over Ethernet	no
Fast Ethernet	yes
Gigabit Ethernet	yes
diagnostic LEDs	power/link status/data/data rate
10 gigabit Ethernet	no
number of ports 10/100/1000 Mbps RJ45	5
number of ports 100 Mbps SC	0
type of electric connection	push-In connection//true
LED status indication	PWR1, PWR2, Alarm, RJ45 Act/Link
connector cross section	0.25mm <sup>2</sup> ...2.5mm <sup>2</sup> (AWG26...AWG12)
wire strip length	9 mm

### technical data

voltage type	DC
min. operating temperature	-40 °C
max. operation temperature	70 °C
storage temperature / transport min.	-40 °C

storage temperature / transport max.	85 °C
relative humidity min.	5 %
relative humidity max.	95 %
net weight	420 g
redundant power supply	2 power inputs

#### supply circuit

voltage type	DC
operating voltage min.	9 V
operating voltage max.	30 V
power consumption max.	< 6 W

#### dimensions

depth	90 mm
width	32 mm
height	110 mm
weight	420 g

#### classification

ECLASS 11	
ECLASS 8.1	19170106
ETIM 9.0	EC000734
ETIM 8.0	EC000734
ETIM 7.0	EC000734
ETIM 6.0	EC000734
ETIM 5.0	EC000734
ETIM 4.0	EC000734

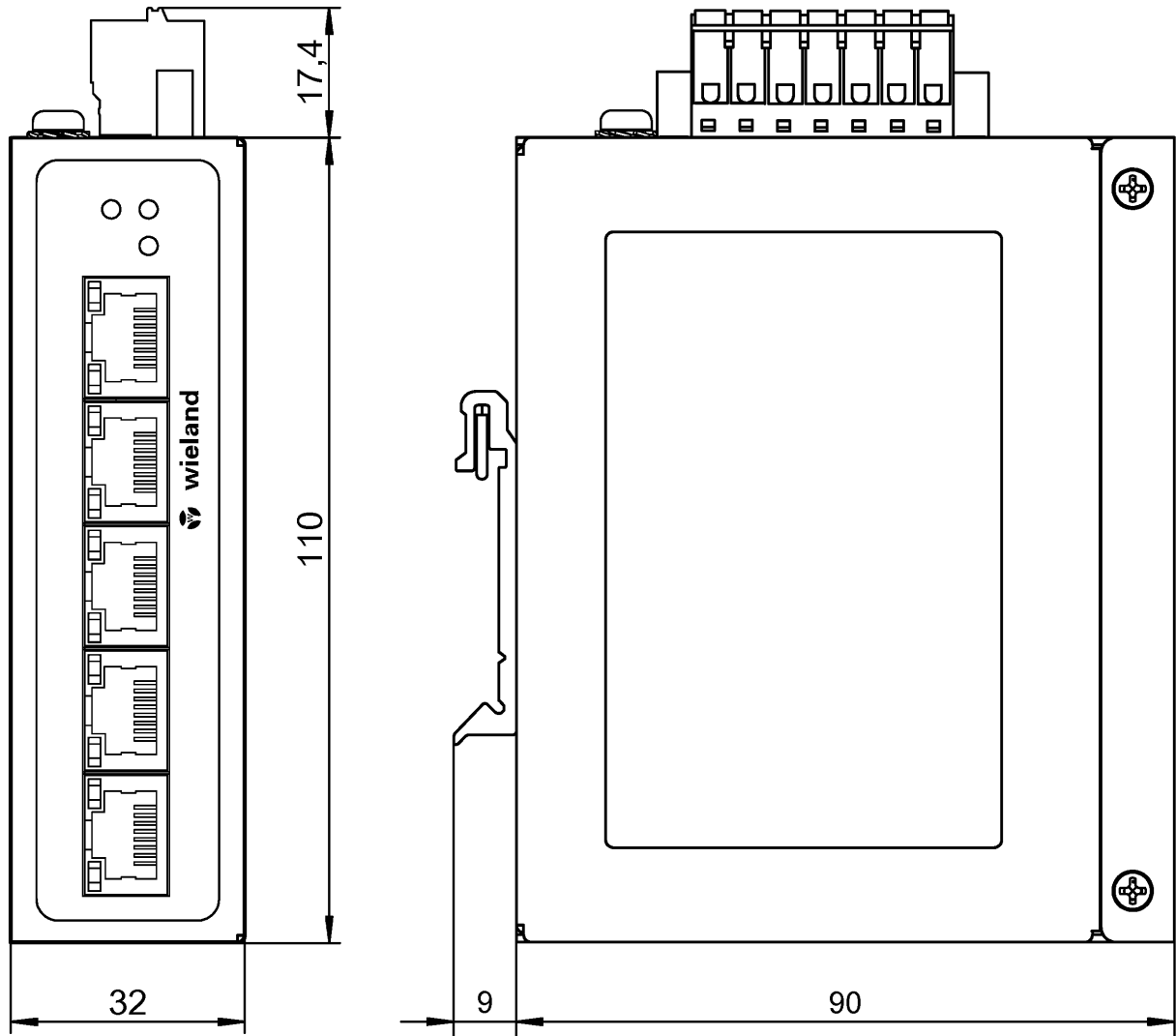
#### product compliance

ROHS conformity status	compliant
REACH-SVHC conformity status	compliant

## Accessories

Commercial Art.No.:	Article-type description:	Description:
78.999.4000.0	patch-cables MOD ZBH RJ45 0,25 m	
78.999.4100.0	patch-cables MOD ZBH RJ45 0,5 m	
78.999.4200.0	patch-cables MOD ZBH RJ45 1,0 m	
78.999.4300.0	patch-cables MOD ZBH RJ45 2,0 m	
78.999.4400.0	patch-cables MOD ZBH RJ45 3,0 m	
78.999.4500.0	patch-cables MOD ZBH RJ45 5,0 m	
78.999.4600.0	patch-cables MOD ZBH RJ45 7,5 m	
78.999.4700.0	patch-cables MOD ZBH RJ45 10 m	

A  
1  
2  
3  
4  
5  
6  
7  
8  
9  
10  
11  
12  
13  
14  
15  
16  
17  
18  
19  
20  
M1  
M2  
M3  
L  
G  
i  
11.1  
12.1  
1.1





Qu - PEE 12/92

Weitere Angaben siehe KATALOG oder eKatalog.  
Additional data see CATALOG or eCatalog.

[www.wieland-electric.com](http://www.wieland-electric.com)  
[eshop.wieland-electric.com](http://eshop.wieland-electric.com)

ja/yes  Stoffverbots- und Deklarationsliste nach WN 5020.010 ist einzuhalten.  
Conformity with Wieland document WN 5020.010 e (list of prohibited / declarable hazardous substances) to be declared!

Freitoleranz nach General tolerance		CAD-Zeichnung, keine manuellen Änderungen CAD-Drawing, no manual modifications allowed			1. Verwendung: First Use:		Blatt: Sheet:		
 Maßstab/Scale		Werkstoff/ Material		2017	Tag/ Date	Name	Zeichnung Nr./ Drawing No.		
				gezeichnet drawn	23.10.	Koetzner	83.040.0130.0 01K		
				geprüft checked					
		Datei/ File: 045641__01K.DCD		Ersatz für/ Replacement for:					
		 <b>wieland</b> www.wieland-electric.com		Type		Benennung/ Title			
Index				Datum/ Blatt Date/ Sheet		Teilespezifikation / Component specification IP-SWITCH / IP SWITCH wienet UMS 5G			
Änderung/ Revision									