

Data sheet

Commercial Art.No.: R1.100.0629.0

magnet switch set SMA 0629

safety switch and magnet, manipulation safe, rectangle-shaped design, dimensions LxWxH: 88x25x14mm, normally open / normally open contact, protection category: IP67, connection M8



Commercial Art.No.	R1.100.0629.0
EAN	4049088175442
Order Unit	1

Technical data

general

suitable for safety functions	yes
housing material	plastic
number of protected contact energized outputs	2
type of electric connection	connector M8
construction type housing	cuboid
protected switch distance OFF	16 mm
cross-/short circuit identification possible	yes
degree of protection (IP)	IP67
type of actuation	magnet

safety parameters

category (ISO 13849-1)	4
PL (ISO 13849-1)	level e
SIL _{CL} (IEC 62061)	3
HFT	1
T _M	20 a

output circuit

max. output current at protected output	250 mA
min. output current	5 mA
min. rated supply voltage at DC	5 V
max. rated supply voltage at DC	30 V

other

voltage type	DC
number of protected semiconductor outputs	0
type of switch output	other

dimensions

width sensor	25 mm
height of sensor	14 mm
length of sensor	88 mm

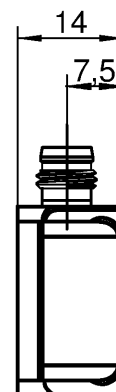
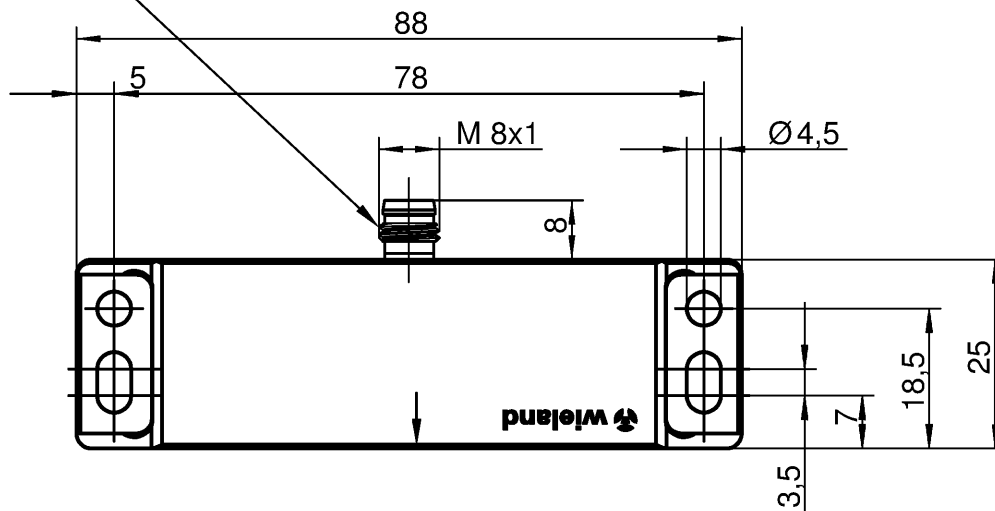
classification

ECLASS 11	
ECLASS 8.1	27270105
ETIM 9.0	EC002544
ETIM 8.0	EC002544
ETIM 7.0	EC002544
ETIM 6.0	EC002544
ETIM 5.0	EC002544
ETIM 4.0	EC002544

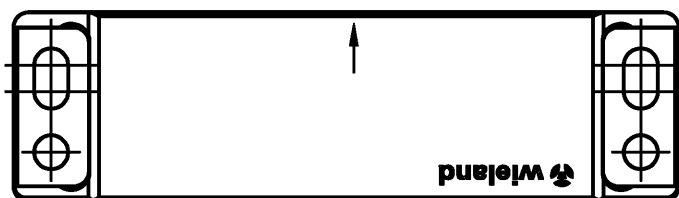
product compliance

ROHS conformity status	compliant
REACH-SVHC conformity status	compliant

Stecker 4-pol. Metall
connector 4-pin metal



○ Magnet /
magnet



Qu - PEE 12/92

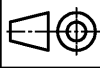

Weitergabe dieses Dokuments, Verwertung und Mitteilung
 seines Inhalts sind verboten, soweit nicht ausdrücklich gestattet.
 Die Reproduktion, Distribution und Utilization of this document as well as the
 communication of its contents to others without express authorization is prohibited.

Teile-Nr. / Part-No.
R1.100.0219.0
R1.100.0229.0
R1.100.0619.0
R1.100.0629.0

Weitere Angaben siehe KATALOG oder eKatalog.
Additional data see CATALOG or eCatalog.

www.wieland-electric.com
eshop.wieland-electric.com

ja/yes Stoffverbots- und Deklarationsliste nach WN 5020.010 ist einzuhalten.
Conformity with Wieland document WN 5020.010 e (list of prohibited / declarable hazardous substances) to be declared!

Freitoleranz nach General tolerance		CAD-Zeichnung, keine manuellen Änderungen CAD-Drawing, no manual modifications allowed			1. Verwendung: First Use:		Blatt: Sheet:		
 Maßstab/Scale		Werkstoff/ Material		2015	Tag/ Date	Name		Zeichnung Nr./ Drawing No.	
				gezeichnet drawn	26.05.	Kötzner		T R1.100.0219.0 01K	
				geprüft checked					
				Normgepr. Stand. check				Maße in mm/Dimensions are in mm	
		Datei/ File: 041921__01K.DCD			Ersatz für/ Replacement for:				
		 wieland www.wieland-electric.com		Type		Benennung/ Title		Teilespezifikation / Component specification	
Index				Datum/ Blatt Date/ Sheet				SMA Magnetschalter rechteckig / Machine safety switch, rectangular	
Änderung/ Revision									