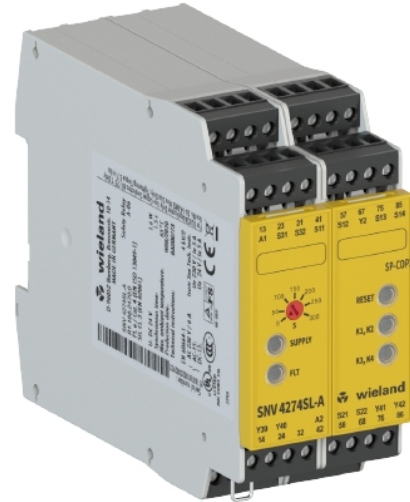


Data sheet

Commercial Art.No.: R1.188.2500.0

device for monitoring of safety-related circuits SNV4274SL-A 30S DC 24V

Base unit, single-channel or two-channel control, automatic-/manual reset with reset switch monitoring, 2 immediately switching current paths, 2 enabling current path off-delayed retriggerable, 2 signalling contacts immediately, 2 signalling contacts off-delayed, 0 - 30s, DC 24 V, screw-terminals pluggable



| | |
|--------------------|---------------|
| Commercial Art.No. | R1.188.2500.0 |
| EAN | 4046521303844 |
| Order Unit | 1 |

certificates / approvals



Technical data

general

| | |
|--|---|
| function display | 5 LED, grün/rot |
| creepage distances and clearances between the circuits | EN 60664-1 |
| protection degree according to DIN EN 60529 (housing) | IP40 |
| protection degree according to DIN EN 60529 (terminals) | IP20 |
| ambient temperature min. | -25 °C |
| ambient temperature max. | 55 °C |
| wire ranges screw terminals, fine-stranded / solid | 1 x 0.2 mm ² - 2.5 mm ² / 2 x 0.2 mm ² - 1.0 mm ² |
| wire ranges screw terminals, fine-stranded with ferrules | 1 x 0.25 mm ² - 2.5 mm ² / 2 x 0.25 mm ² - 1.0 mm ² |
| permissible torque min. | 0.5 Nm |
| permissible torque max. | 0.6 Nm |
| tightening moment | 0.6 Nm |
| weight | 0.33 kg |
| standards | EN ISO 13849-1EN 62061 |
| suitable for safety functions | yes |
| with muting function | no |
| feedback circuit | yes |
| start contact | yes |
| stop category acc. to IEC 60204 | 1 |
| rail mounting possible | yes |

connection data

| | |
|-----------------------------|------------------|
| detachable clamps | yes |
| type of electric connection | screw connection |

safety parameters

| | |
|---|------------|
| category (ISO 13849-1) | 4 |
| PL (ISO 13849-1) | level e |
| SIL _{CL} (IEC 62061) | 3 |
| PFD _d (Low demand mode) | 8.7 E-6 |
| PFH _d (High demand mode) | 2 E-9 1/h |
| HFT | 1 |
| SSF | 99.7 % |
| DC | 99 % |
| MTTF _d | 85 a |
| λS | 4586 FIT |
| λD | 1346 FIT |
| λDU | 18.9 FIT |
| λDD | 1327.1 FIT |
| T _M | 20 a |
| proof test intervall (High demand mode) | 20 a |

application

| | |
|--|--------------|
| model | basic device |
| suitable for monitoring of magnetic switches | yes |
| suitable for monitoring of proximity switches | yes |
| suitable for monitoring of emergency-stop circuits | yes |
| suitable for monitoring of optoelectronic protection equipment | yes |
| suitable for monitoring of position switches | yes |

output circuit

| | |
|--|---|
| enabling paths | normally open contact |
| enabling paths, time delayed | normally open contact, off delay |
| signaling paths | opener |
| contact material | Ag alloy, gold-plated |
| rated switching voltage, enabling paths AC | 230 V |
| rated switching voltage, enabling paths DC | 24 V |
| rated switching voltage, signaling paths AC | 230 V |
| rated switching voltage, signaling paths DC | 24 V |
| max. thermal current I _{th} , enabling paths | 6 A |
| max. thermal current I _{th} , signaling paths | 2 A |
| max. total current I ² of all current path | 40 A ² |
| application category AC-15 (NO) | Ue 230V, Ie 3A |
| application category DC-13 (NO) | Ue 24V, Ie 3A |
| short-circuit protection (NO), max. fuse insert | 6 A class gG fuse, fuse integral < 100 A ² s |
| mechanical life | 10 ⁷ switching cycles |
| outputs, signalling function, undelayed, with contact | 2 |
| outputs, signalling function, delayed, with contact | 2 |
| outputs, safe, undelayed, with contact | 2 |
| outputs, safe, delayed, with contact | 2 |

control circuit

| | |
|-------------------|--------|
| response time tA1 | 200 ms |
| response time tA2 | 200 ms |

| | |
|---|------------------------------|
| min. switch-on time | 100 ms |
| recovery time tW | > 50 ms |
| release time tR | < 20 ms |
| release time tR, delayed contacts (tolerance) | 0 - 30 s (+- 0.1 %, +- 15ms) |
| type of switch function of the inputs | normally open contact |
| evaluation inputs | 2-channel |

supply circuit

| | |
|---|---------|
| nominal voltage UN | DC 24 V |
| rated consumption DC | 2.8 W |
| electrical isolation supply circuit - control circuit | no |
| min. rated DC voltage for controls | 20.4 V |
| max. rated DC voltage for controls | 26.4 V |
| min. rated control supply voltage at DC | 20.4 V |

dimensions

| | |
|--------|---------|
| depth | 114 mm |
| width | 45 mm |
| height | 96.5 mm |

classification

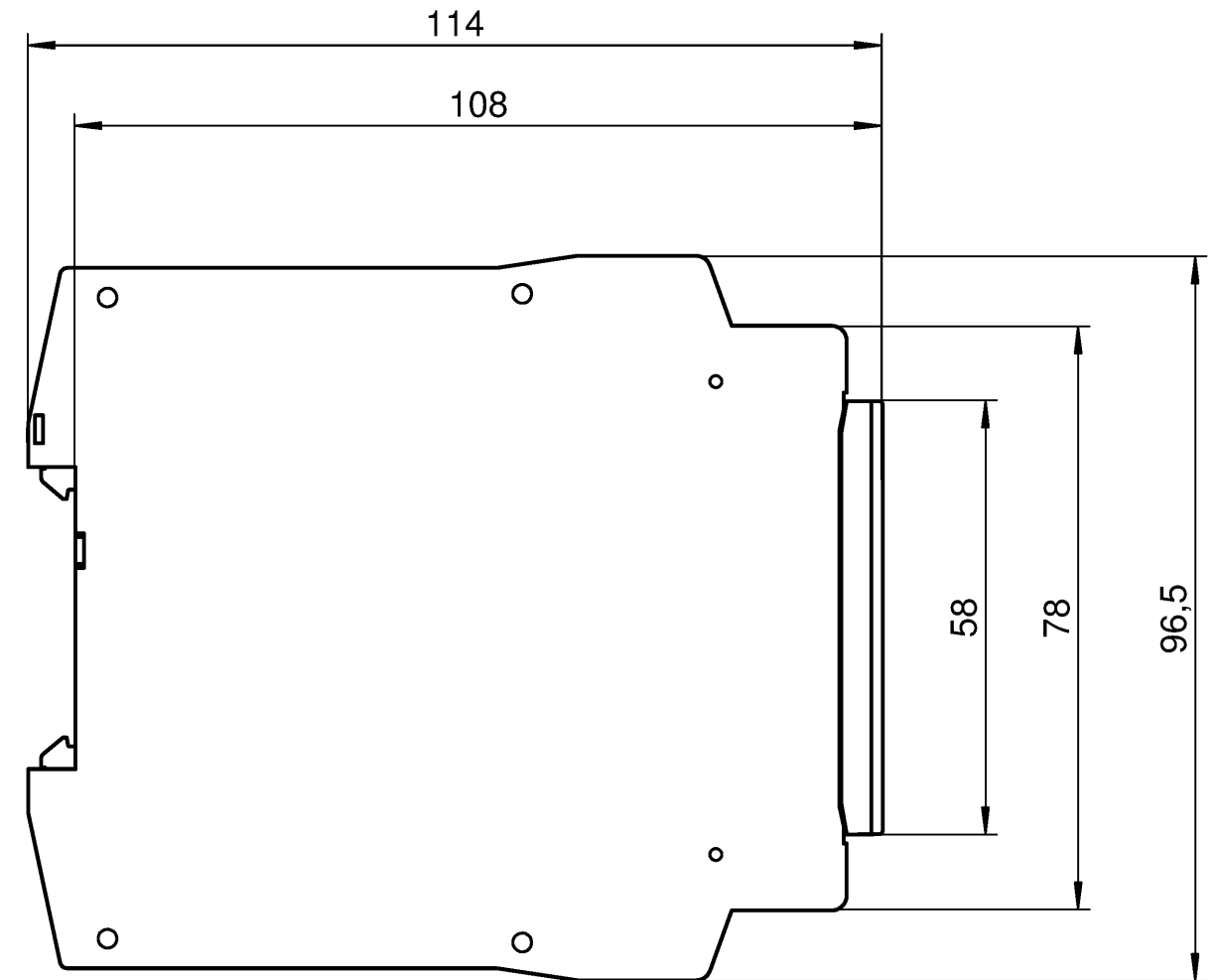
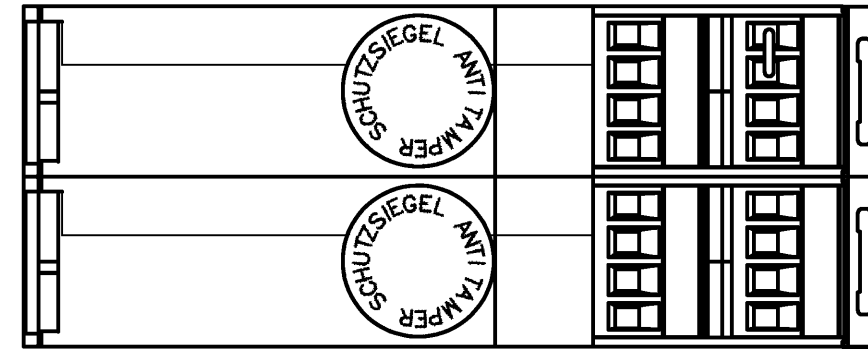
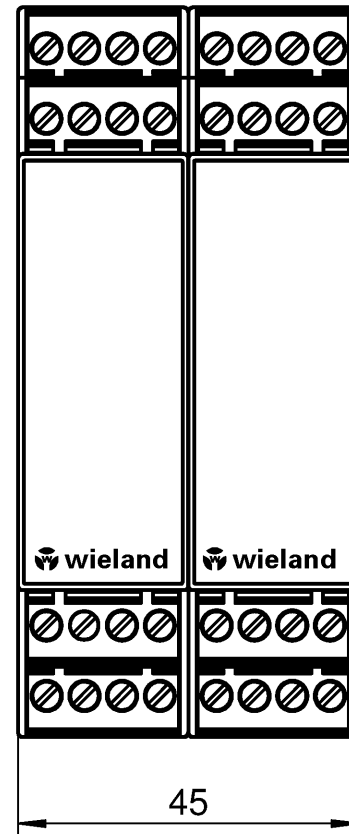
| | |
|------------|----------|
| ECLASS 11 | |
| ECLASS 8.1 | 27371819 |
| ETIM 9.0 | EC001449 |
| ETIM 8.0 | EC001449 |
| ETIM 7.0 | EC001449 |
| ETIM 6.0 | EC001449 |
| ETIM 5.0 | EC001449 |
| ETIM 4.0 | EC001449 |
| ETIM 3.0 | EC001449 |

product compliance

| | |
|------------------------------|---------------------|
| ROHS conformity status | compliant/exempted |
| ROHS exceptions | III-6(c); III-7(c)I |
| REACH-SVHC conformity status | Duty-To-Declare |
| REACH-SVHC substances | Lead |
| REACH-SVHC CAS numbers | 7439-92-1 |

Ⓐ

| Teile-Nr. / Part-No. |
|----------------------|
| R1.188.2040.0 |
| R1.188.2070.0 |
| R1.188.2100.0 |
| R1.188.2130.0 |
| R1.188.2160.0 |
| R1.188.2190.0 |
| R1.188.2220.0 |
| R1.188.2250.0 |
| R1.188.2280.0 |
| R1.188.2310.0 |
| R1.188.2340.0 |
| R1.188.2370.0 |
| R1.188.2470.0 |
| R1.188.2500.0 |
| R1.188.2530.0 |
| R1.188.2560.0 |
| R1.188.2590.0 |
| R1.188.2620.0 |
| R1.188.2650.0 |
| R1.188.2680.0 |
| R1.188.2710.0 |
| R1.188.2740.0 |
| R1.188.2770.0 |
| R1.188.2800.0 |
| R1.188.3120.0 |
| R1.188.3510.0 |



Weitere Angaben siehe KATALOG oder eKatalog.
Additional data see CATALOG or eCatalog.

www.wieland-electric.com
eshop.wieland-electric.com

ja/yes Stoffverbots- und Deklarationsliste nach WN 5020.010 ist einzuhalten.
Conformity with Wieland document WN 5020.010 e (list of prohibited / declarable hazardous substances) to be declared!

| | | | | | | | |
|--|--|---|--|---|---------------------|--|--|
| Freitoleranz nach General tolerance | | CAD-Zeichnung, keine manuellen Änderungen CAD-Drawing, no manual modifications allowed | | 1. Verwendung: First Use: | | Blatt: Sheet: | |
| | | Werkstoff/ Material | | 2014 gezeichnet drawn | Tag/ Date 06.06. | Name Kötzner | |
| | | Maßstab/Scale | | geprüft checked | | Zeichnung Nr./ Drawing No. T R1.188.3120.0 01K | |
| | | | | Normgepr. Stand. check | | Maße in mm/Dimensions are in mm | |
| | | Datei/ File: 036021_A01K_R1.188.3120.0.DCD | | Ersatz für/ Replacement for: | | | |
| Ⓐ | | 03.02.15 Datum/ Blatt Date/ Sheet | | www.wieland www.wieland-electric.com | | Type Benennung/ Title Maßbildzeichnung/dimension drawing Standardgehäuse u. -deckel, Baubreite 45mm, Schraubklemmen steckbar standard housing and cover, overall with 45mm plug-in pcb terminal | |
| Änderung/ Revision | | | | | | | |

Weitergabe sowie Vervielfältigung dieses Dokuments, Verwertung und Mitteilung
 seines Inhalts sind verboten, soweit nicht ausdrücklich gestattet.
 The reproduction, distribution and utilization of this document as well as the
 communication of its contents to others without express authorization is prohibited.

1
2
3
4
5
6
7
8
9
10
11
12
13
14
15
16
17
18
19
20
M1
M2
M3
L
G
i
11.1
12.1
1.1