

Data sheet

Commercial Art.No.: R1.190.0210.1

PLC communication module SP-CANOPEN DC24V

samosPRO gateway for CANopen



Commercial Art.No.	R1.190.0210.1
EAN	4049088471612
Order Unit	1

certificates / approvals



Technical data

general

suitable for safety functions	no
number of HW-interfaces industrial Ethernet	0
number of HW-interfaces USB	0
supporting CAN protocol	yes
supporting MODBUS protocol	no
supporting PROFIBUS protocol	no
supporting TCP/IP protocol	no
potential separation	yes
type of data transmission	serial

other

number of HW-interfaces RS232	0
number of HW-interfaces other	0
supports protocol other bus systems	no

dimensions

width	22.5 mm
depth	121 mm
height	96.5 mm

classification

ECLASS 11	
-----------	--

ECLASS 8.1	27242208
ETIM 9.0	EC001423
ETIM 8.0	EC001423
ETIM 7.0	EC001423
ETIM 6.0	EC001423
ETIM 5.0	EC001423
ETIM 4.0	EC001423
ETIM 3.0	EC001423

product compliance

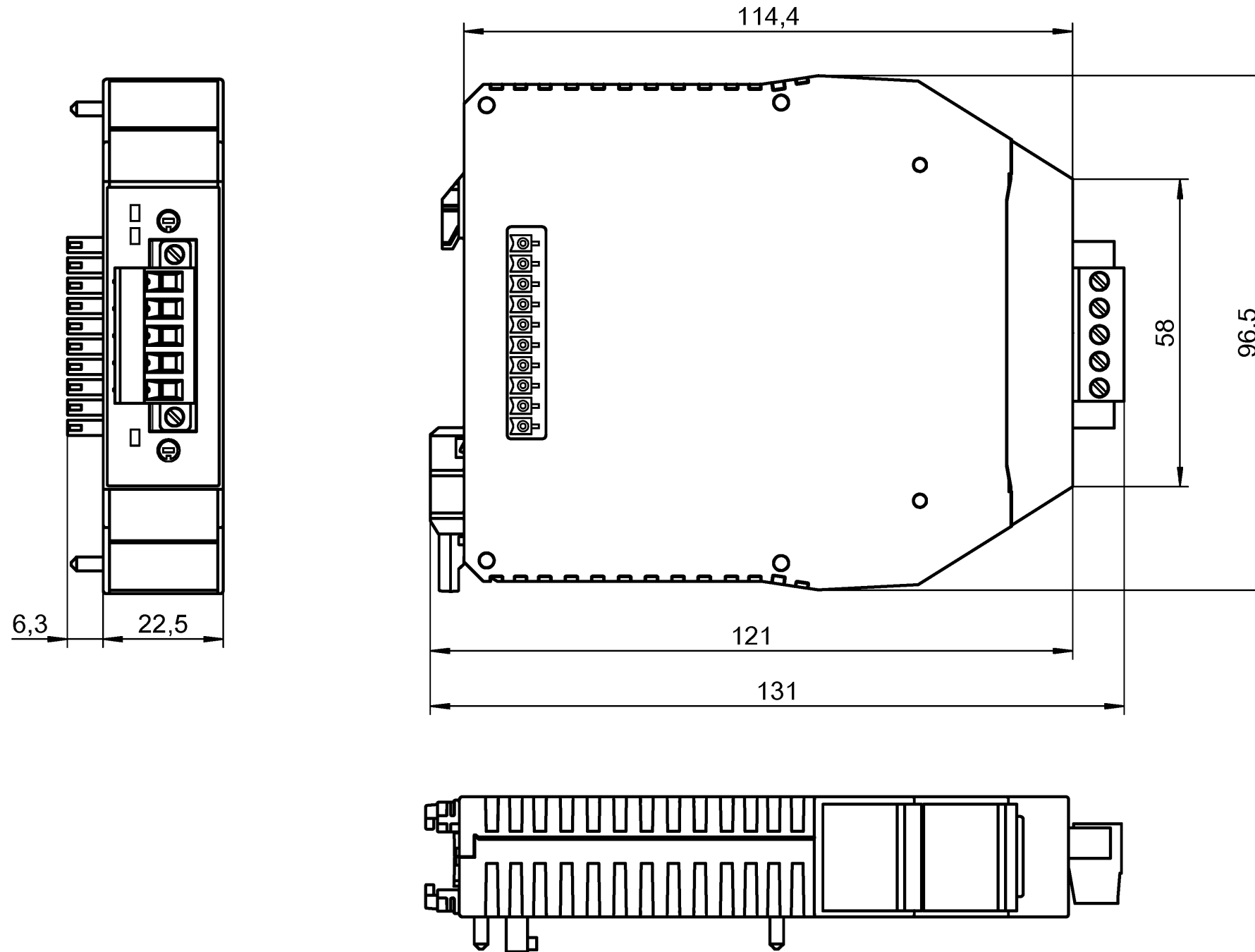
ROHS conformity status	compliant/exempted
ROHS exceptions	III-6(c); III-7(c)I
REACH-SVHC conformity status	Duty-To-Declare
REACH-SVHC substances	Lead
REACH-SVHC CAS numbers	7439-92-1

Accessories

Commercial Art.No.:	Article-type description:	Description:
99.208.9999.9	PCB connector SAFETY SCHRAUBKL.SET	
99.209.9999.9	safety plug set push in SAFETY PUSH IN SET	
R1.190.1010.0	samosPRO SP-CABLE-USB1	samosPRO-USB cable for SP-COP, 1,8 m
56.202.8055.0	initiator terminal WTP 1,5 I/O-3	Initiator terminal with push in connection for mounting on TS 35,nominal cross section: 1,5 mm ² ,Width: 3,5 mm,Color: grey

Wiedergabe sowie Vervielfältigung dieses Dokuments, Verwertung und Mitteilung
 von dessen Inhalten ohne schriftliche Genehmigung der Wieland Electric AG ist
 The reproduction, distribution and utilization of this document as well as the
 communication of its contents to others without express authorization is prohibited.

01-QU-RD-31/21



Teile-Nr. / Part-No.
R1.190.0210.0
R1.190.0210.1

Weitere Angaben siehe KATALOG oder eKatalog.
 Additional data see CATALOG or eCatalog.

www.wieland-electric.com
eshop.wieland-electric.com

ja/yes <input type="checkbox"/> Stoffverbots- und Deklarationsliste nach WN 5020.010 ist einzuhalten. Conformity with Wieland document WN 5020.010 e (list of prohibited / declarable hazardous substances) to be declared!		1. Verwendung: First Use:		Blatt: Sheet:	
Freitoleranz nach General tolerance		CAD-Zeichnung, keine manuellen Änderungen CAD-Drawing, no manual modifications allowed		Zeichnung Nr./ Drawing No.	
		Werkstoff/ Material		2014 Tag/ Date Name gezeichnet drawn 06.06. Koetzner	
		Maßstab/Scale		Elektronische Freigabe Electronic Release	
④ 29.03.23		Datei/ File: 031691_D01K.DCD		Ersatz für/ Replacement for:	
③ 07.02.23		wieland		Type	
② 17.05.18				Benennung/ Title	
① 19.06.17				Teilespezifikation / Component specification	
Index Datum/ Blatt Date/ Sheet				samos PRO CAN/DeviceNET	
Änderung/ Revision					

A
1
2
3
4
5
6
7
8
9
10
11
12
13
14
15
16
17
18
19
20
M1
M2
M3
L
G
i
11.1
12.1
1.1