

## Data sheet

Commercial Art.No.: R1.190.1620.0

SPS-analog input module SP-SAR4-C

samosPRO analog module, 4 safe inputs RTD, Pluggable push-in-terminals



Commercial Art.No.	R1.190.1620.0
EAN	4049088464379
Order Unit	1

certificates / approvals



## Technical data

### general

SIL according to IEC 61508	3
in-/outputs configurable	yes

### connection data

type of electric connection	spring clamp connection
-----------------------------	-------------------------

### safety parameters

category (ISO 13849-1)	4
PL (ISO 13849-1)	level e
SIL <sub>CL</sub> (IEC 62061)	3
HFT	1
DC	98.6 %
MTTF <sub>d</sub>	301 a
T <sub>M</sub>	20 a

### other

suitable for safety functions	yes
type of supply voltage	DC
type of voltage (input voltage)	

### control circuit

number of inputs	4
------------------	---

**supply circuit**

Nennspannung DC	24 V
min. supply voltage at DC	16.8 V
max. supply voltage at DC	30 V

**dimensions**

depth	121 mm
width	22.5 mm
height	96.5 mm

**classification**

ECLASS 11	
ECLASS 8.1	27242202
ETIM 9.0	EC001421
ETIM 8.0	
ETIM 7.0	
ETIM 6.0	
ETIM 5.0	EC001421
ETIM 4.0	EC001421

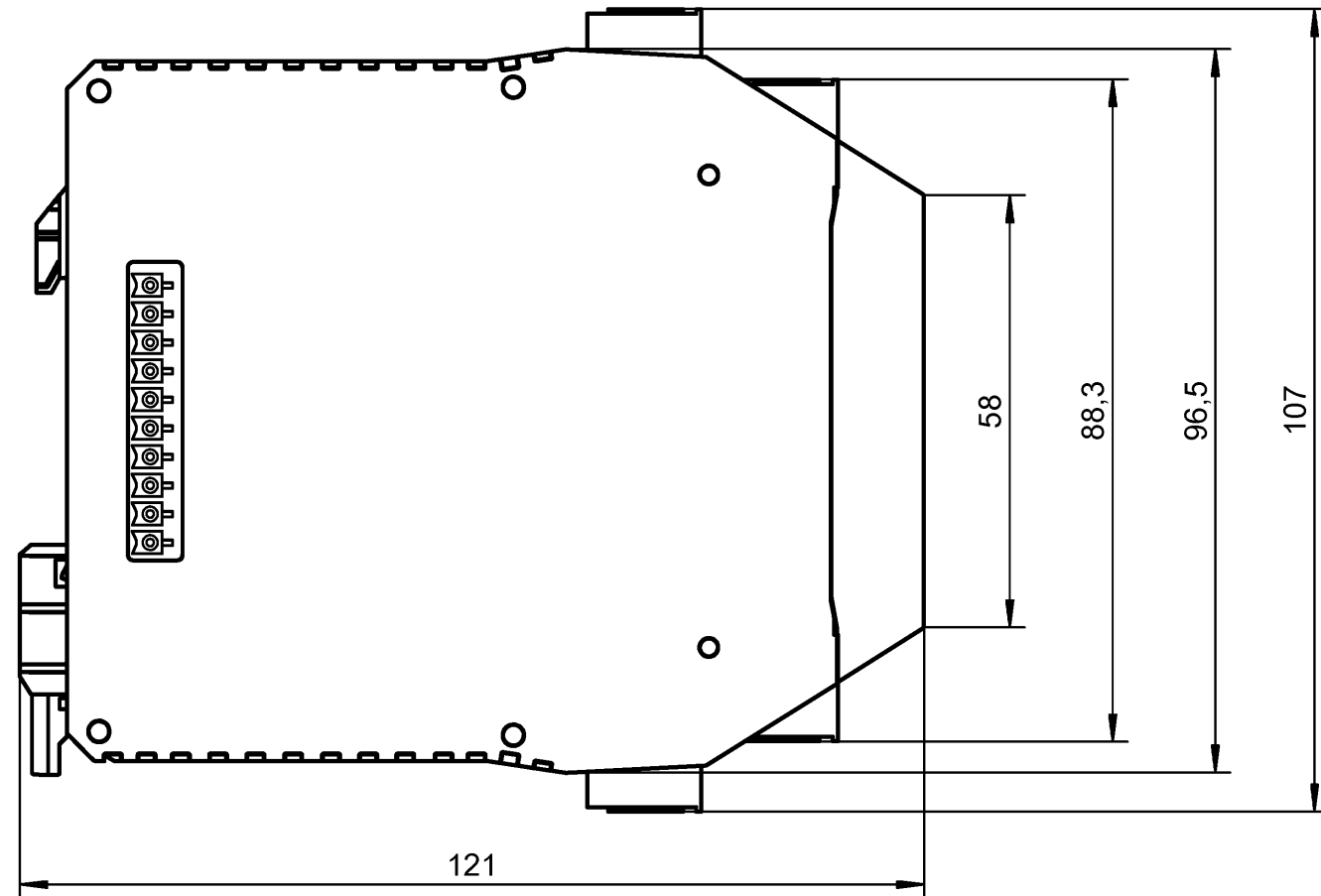
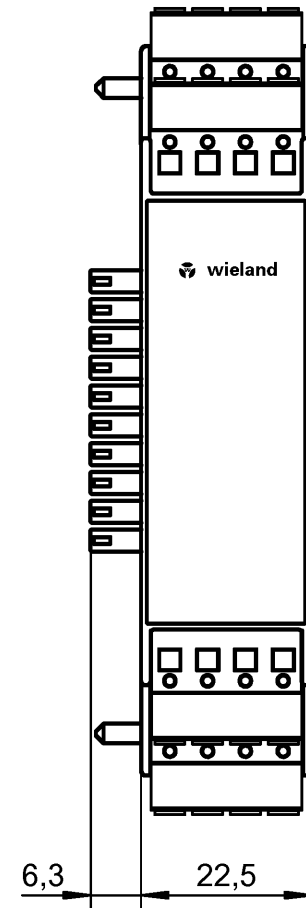
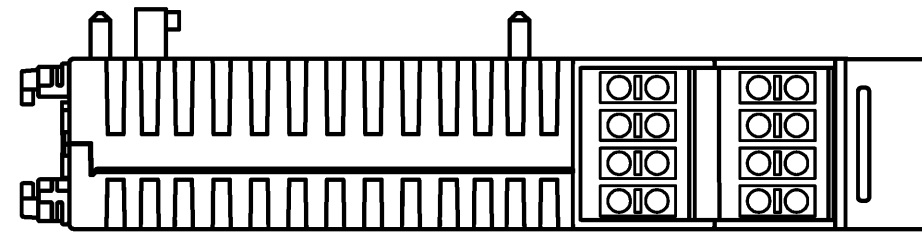
**product compliance**

ROHS conformity status	compliant/exempted
ROHS exceptions	III-7(c)I
REACH-SVHC conformity status	Duty-To-Declare
REACH-SVHC substances	Lead
REACH-SVHC CAS numbers	7439-92-1

**Accessories**

Commercial Art.No.:	Article-type description:	Description:
99.208.9999.9	PCB connector SAFETY SCHRAUBKL.SET	
99.209.9999.9	safety plug set push in SAFETY PUSH IN SET	
R1.190.1010.0	samosPRO SP-CABLE-USB1	samosPRO-USB cable for SP-COP, 1,8 m
56.202.8055.0	initiator terminal WTP 1,5 I/O-3	Initiator terminal with push in connection for mounting on TS 35,nominal cross section: 1,5 mm <sup>2</sup> ,Width: 3,5 mm,Color: grey

Qu - PEE 12/92



Teile-Nr. / Part-No.	Typ / Type
R1.190.1620.0	SP-SAR4-C
R1.190.1640.0	SP-SAC4-C
R1.190.1660.0	SP-SACR22-C

Weitere Angaben siehe KATALOG oder eKatalog. Additional data see CATALOG or eCatalog.		www.wieland-electric.com eshop.wieland-electric.com	
ja/yes <input checked="" type="checkbox"/> Stoffverbots- und Deklarationsliste nach WN 5020.010 ist einzuhalten. Conformity with Wieland document WN 5020.010 e (list of prohibited / declarable hazardous substances) to be declared!			
Freitoleranz nach General tolerance	CAD-Zeichnung, keine manuellen Änderungen CAD drawing, no manual modifications allowed	1. Verwendung: First Use:	Blatt: Sheet:
	Werkstoff / Material	2019 gezeichnet drawn 28.03. geprüft checked Normgepr. Stand. check	Name Koetzner
	Maßstab/Scale	Zeichnung Nr. / Drawing No. <b>T R1.190.1620.0 /01K</b>	
	Maßstab/Scale	Maße in mm / Dimensions are in mm	
	Index	Datei / File: 046371_/R1.190.1620.0_01K.DCD	
	Datum / Blatt Date / Sheet	Ersatz für / Replacement for:	Type
	Änderung / Revision	Benennung / Title Teilespezifikation / Component specification <b>Federkraftsteckblockklemme samosPRO Analogmodul</b>	
		 www.wieland-electric.com	

1  
2  
3  
4  
5  
6  
7  
8  
9  
10  
11  
12  
13  
14  
15  
16  
17  
18  
19  
20  
M1  
M2  
M3  
L  
G  
i  
11.1  
12.1  
1.1