

Data sheet

Commercial Art.No.: R1.190.1660.0

SPS-analog input module SP-SACR22-C

samosPRO analog module, 2 safe inputs RTD, 2 safe inputs 0-20mA, Pluggable push-in-terminals



| | |
|--------------------|---------------|
| Commercial Art.No. | R1.190.1660.0 |
| EAN | 4049088465819 |
| Order Unit | 1 |

certificates / approvals



Technical data

general

| | |
|----------------------------|-----|
| SIL according to IEC 61508 | 3 |
| in-/outputs configurable | yes |

connection data

| | |
|-----------------------------|-------------------------|
| type of electric connection | spring clamp connection |
|-----------------------------|-------------------------|

safety parameters

| | |
|-------------------------------|---------|
| category (ISO 13849-1) | 4 |
| PL (ISO 13849-1) | level e |
| SIL _{CL} (IEC 62061) | 3 |
| HFT | 1 |
| DC | 94.1 % |
| MTTF _d | 301 a |
| T _M | 20 a |

other

| | |
|---------------------------------|-----|
| suitable for safety functions | yes |
| type of supply voltage | DC |
| type of voltage (input voltage) | |

control circuit

| | |
|------------------|---|
| number of inputs | 4 |
|------------------|---|

supply circuit

| | |
|---------------------------|--------|
| Nennspannung DC | 24 V |
| min. supply voltage at DC | 16.8 V |
| max. supply voltage at DC | 30 V |

dimensions

| | |
|--------|---------|
| depth | 121 mm |
| width | 22.5 mm |
| height | 96.5 mm |

classification

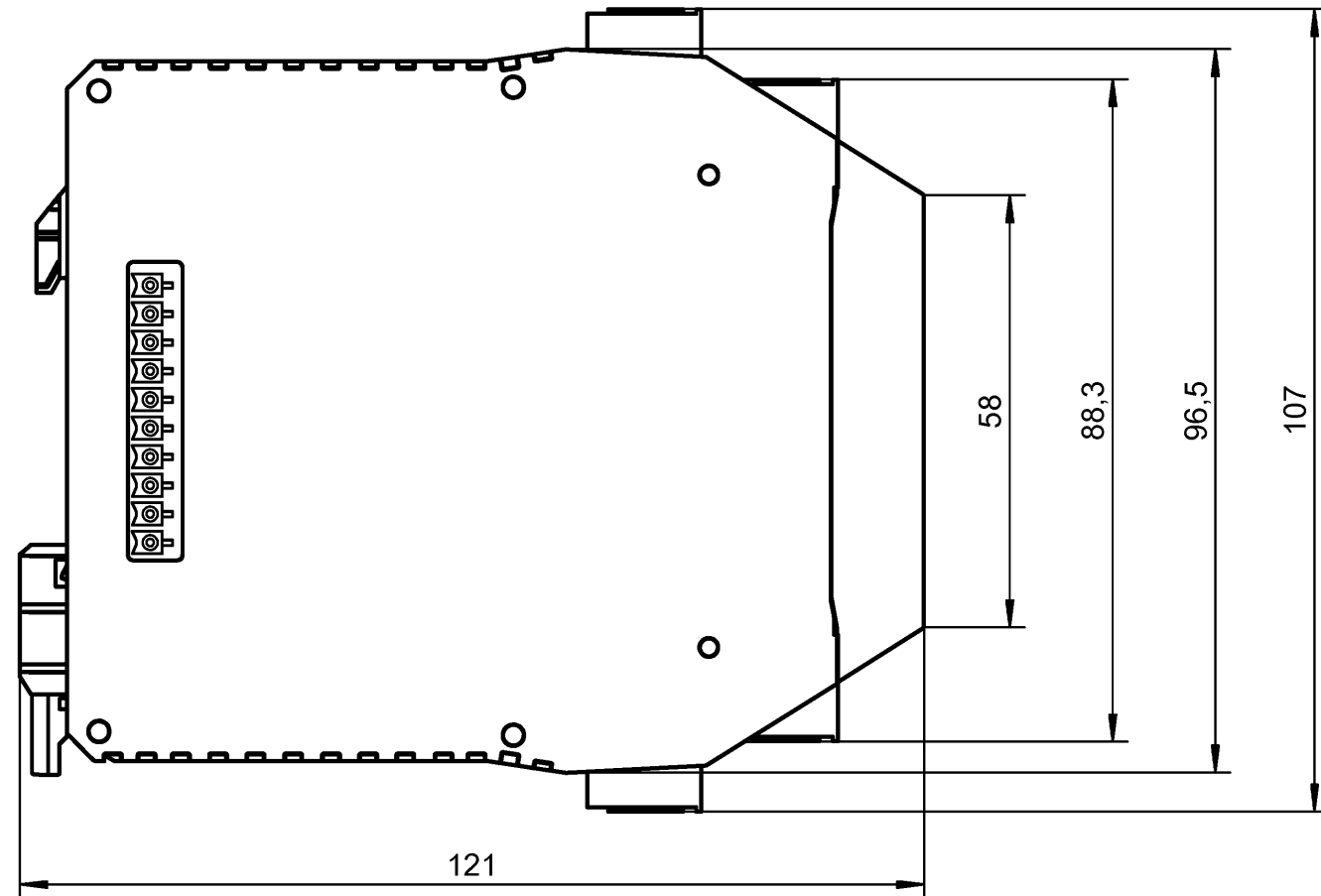
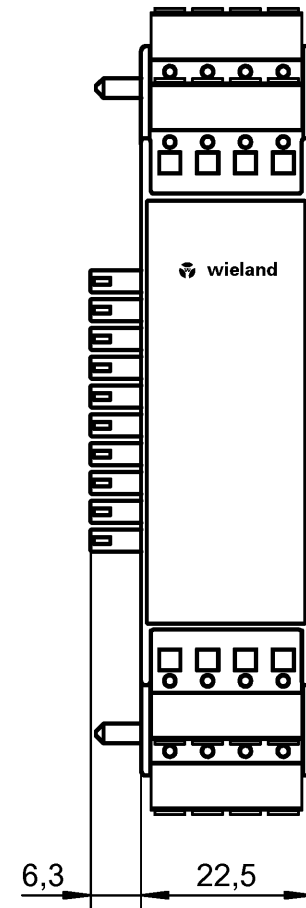
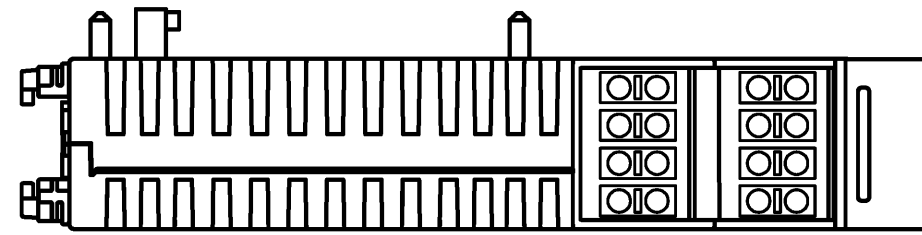
| | |
|------------|----------|
| ECLASS 11 | |
| ECLASS 8.1 | 27242202 |
| ETIM 9.0 | EC001421 |
| ETIM 8.0 | |
| ETIM 7.0 | |
| ETIM 6.0 | |
| ETIM 5.0 | EC001421 |
| ETIM 4.0 | EC001421 |

product compliance

| | |
|------------------------------|---|
| ROHS conformity status | compliant/exempted |
| ROHS exceptions | III-6(c); III-7(c)I |
| REACH-SVHC conformity status | Duty-To-Declare |
| REACH-SVHC substances | 1,6,7,8,9,14,15,16,17,17,18,18-Dodecachloropentacyclo[12.2.1.16,9.02,13.05,10]octadeca-7,15-diene; Lead |
| REACH-SVHC CAS numbers | 13560-89-9; 7439-92-1 |

Accessories

| Commercial Art.No.: | Article-type description: | Description: |
|---------------------|--|--|
| 99.208.9999.9 | PCB connector SAFETY SCHRAUBKL.SET | |
| 99.209.9999.9 | safety plug set push in SAFETY PUSH IN SET | |
| R1.190.1010.0 | samosPRO SP-CABLE-USB1 | samosPRO-USB cable for SP-COP, 1,8 m |
| 56.202.8055.0 | initiator terminal WTP 1,5 I/O-3 | Initiator terminal with push in connection for mounting on TS 35,nominal cross section: 1,5 mm ² ,Width: 3,5 mm,Color: grey |



| Teile-Nr. / Part-No. | Typ / Type |
|----------------------|-------------|
| R1.190.1620.0 | SP-SAR4-C |
| R1.190.1640.0 | SP-SAC4-C |
| R1.190.1660.0 | SP-SACR22-C |

| | | | |
|---|---|--|------------------|
| Weitere Angaben siehe KATALOG oder eKatalog. Additional data see CATALOG or eCatalog. | | www.wieland-electric.com eshop.wieland-electric.com | |
| ja/yes <input checked="" type="checkbox"/> Stoffverbots- und Deklarationsliste nach WN 5020.010 ist einzuhalten. Conformity with Wieland document WN 5020.010 e (list of prohibited / declarable hazardous substances) to be declared! | | | |
| Freitoleranz nach General tolerance | CAD-Zeichnung, keine manuellen Änderungen CAD drawing, no manual modifications allowed | 1. Verwendung: First Use: | Blatt: Sheet: |
| | Werkstoff / Material | 2019 Tag/Date gezeichnet drawn 28.03. geprüft checked Normgepr. Stand. check | Name Koetzner |
| | Maßstab/Scale | Zeichnung Nr. / Drawing No. T R1.190.1620.0 /01K | |
| | Maßstab/Scale | Maße in mm / Dimensions are in mm | |
| | Index | Datei / File: 046371_/R1.190.1620.0_01K.DCD | |
| | Datum / Blatt Date / Sheet | Ersatz für / Replacement for: | Type |
| | Änderung / Revision | Benennung / Title Teilespezifikation / Component specification Federkraftsteckblockklemme samosPRO Analogmodul | |
| www.wieland-electric.com | | | |

1
2
3
4
5
6
7
8
9
10
11
12
13
14
15
16
17
18
19
20
M1
M2
M3
L
G
i
11.1
12.1
1.1