

Data sheet

Commercial Art.No.: R1.200.1122.0

emergency stop complete SNH 1122

E-Stop button (SNH 0100, 2 NC (contact-break-detection))



| | |
|--------------------|---------------|
| Commercial Art.No. | R1.200.1122.0 |
| EAN | 4049088044410 |
| Order Unit | 1 |

certificates / approvals



Technical data

technical data

| | |
|---|---|
| hole diameter | 22.3 mm |
| rated insulation voltage Ui | 600 V |
| unlocking method | turn unlatching mechanism |
| housing material | plastic |
| surface finish | AgNi |
| with lighting | no |
| utility category | 3 A (AC-15 at 250V AC) / 10 A (DC-13 at 24V DC) |
| max. conductor cross section | 2.5 mm ² |
| degree of protection (IP) | IP65 |
| connection type auxiliary circuit | screw connection |
| connection type conductor | screw connection |
| number of contacts as normally closed contact | 2 |
| number of contacts as normally open contact | 0 |
| min. switching voltage | 5 V |
| min. ambient temperature | -30 °C |
| max. ambient temperature | 70 °C |
| switching principle contact elements | slow action switch |
| min. switching current | 1 mA |
| B10d-value | 250000 |
| illumination connection | no |
| fall-off protection | yes |

dimensions

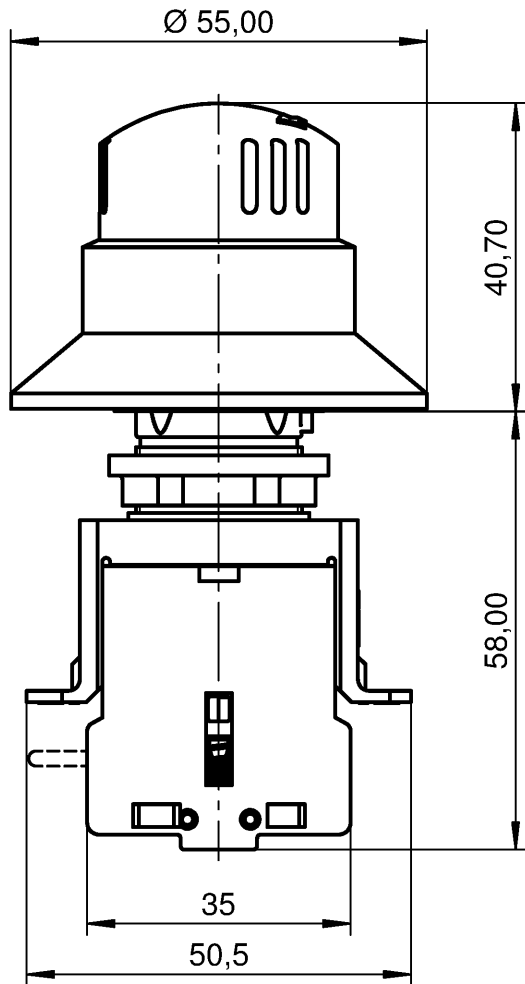
| | |
|----------------|-------|
| build in depth | 62 mm |
|----------------|-------|

classification

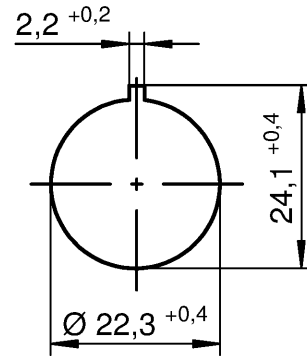
| | |
|------------|----------|
| ECLASS 11 | |
| ECLASS 8.1 | 27371244 |
| ETIM 9.0 | EC002034 |
| ETIM 8.0 | EC002034 |
| ETIM 7.0 | EC002034 |
| ETIM 6.0 | EC002034 |
| ETIM 5.0 | EC002034 |
| ETIM 4.0 | EC002034 |
| ETIM 3.0 | EC002034 |

product compliance

| | |
|------------------------------|-----------|
| ROHS conformity status | compliant |
| REACH-SVHC conformity status | compliant |



Bohrung für Einbau /
Cut-out dimensions



Qu - PEE 12/92

| Teile-Nr. / Part-No. | Typ / Type | Kontaktblock / contact block | | Betätiger / actuator |
|----------------------|------------|------------------------------|---|----------------------|
| R1.200.1101.0 | SNH1101 | R1.200.0001.0 | + | R1.200.0100.0 |
| R1.200.1102.0 | SNH1102 | R1.200.0002.0 | + | R1.200.0100.0 |
| R1.200.1111.0 | SNH1111 | R1.200.0011.0 | + | R1.200.0100.0 |
| R1.200.1112.0 | SNH1112 | R1.200.0012.0 | + | R1.200.0100.0 |
| R1.200.1121.0 | SNH1121 | R1.200.0021.0 | + | R1.200.0100.0 |
| R1.200.1122.0 | SNH1122 | R1.200.0022.0 | + | R1.200.0100.0 |
| R1.200.1131.0 | SNH1131 | R1.200.0031.0 | + | R1.200.0100.0 |
| R1.200.1132.0 | SNH1132 | R1.200.0032.0 | + | R1.200.0100.0 |
| R1.200.1143.0 | SNH1143 | R1.200.0043.0 | + | R1.200.0100.0 |

Weitere Angaben siehe KATALOG oder eKatalog.
Additional data see CATALOG or eCatalog.

www.wieland-electric.com
eshop.wieland-electric.com

ja/yes Stoffverbots- und Deklarationsliste nach WN 5020.010 ist einzuhalten.

Conformity with Wieland document WN 5020.010 e (list of prohibited / declarable hazardous substances) to be declared!

Freitoleranz nach
General tolerance

CAD-Zeichnung, keine manuellen Änderungen
CAD-Drawing, no manual modifications allowed

1. Verwendung:
First Use:

Blatt:
Sheet:



Werkstoff/ Material

2015

Tag/ Date

Name

Zeichnung Nr./ Drawing No.

Maßstab/Scale

gezeichnet
drawn

23.03.

Kötzner

T R1.200.1101.0 01K

geprüft
checked

Normgepr.
Stand. check

Maße in mm/Dimensions are in mm

Datei/ File: 029821__01K.DCD

Ersatz für/ Replacement for:



wieland

www.wieland-electric.com

Type

Benennung/ Title

Teilespezifikation /
Component specification

Set Kontaktblock + Betätiger
set contact block + actuator

Index Datum/ Blatt
Date/ Sheet

Änderung/ Revision