

Data sheet

Commercial Art.No.: R1.200.1132.0

emergency stop complete SNH 1132

E-Stop button (SNH 0100, 2 NC (contact-break-detection) / 1 NO)



Commercial Art.No.	R1.200.1132.0
EAN	4049088044434
Order Unit	1

certificates / approvals



Technical data

technical data

hole diameter	22.3 mm
rated insulation voltage U_i	600 V
unlocking method	turn unlatching mechanism
housing material	plastic
surface finish	AgNi
with lighting	no
utility category	3 A (AC-15 at 250V AC) / 10 A (DC-13 at 24V DC)
max. conductor cross section	2.5 mm ²
degree of protection (IP)	IP65
connection type auxiliary circuit	screw connection
connection type conductor	screw connection
number of contacts as normally closed contact	2
number of contacts as normally open contact	1
min. switching voltage	5 V
min. ambient temperature	-30 °C
max. ambient temperature	70 °C
switching principle contact elements	slow action switch
min. switching current	1 mA
B10d-value	250000
illumination connection	no
fall-off protection	yes

dimensions

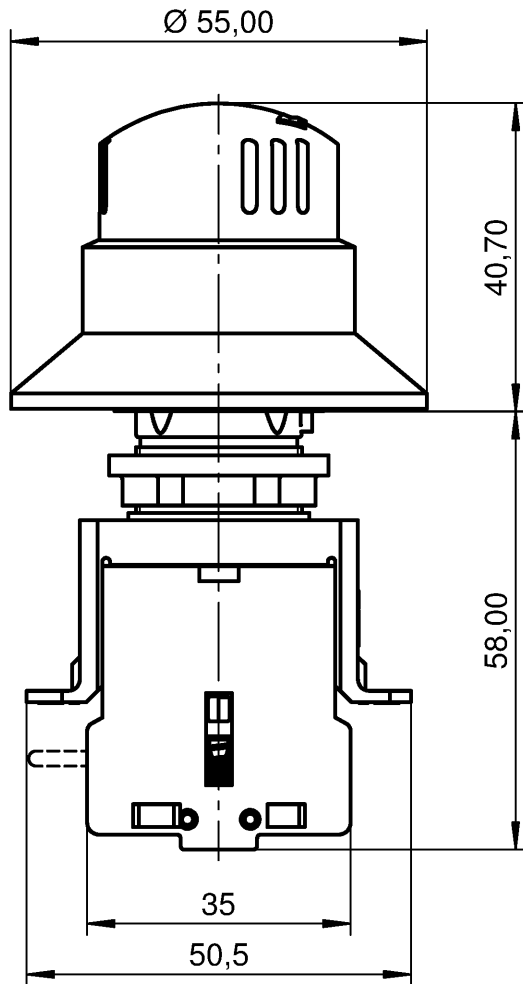
build in depth	62 mm
----------------	-------

classification

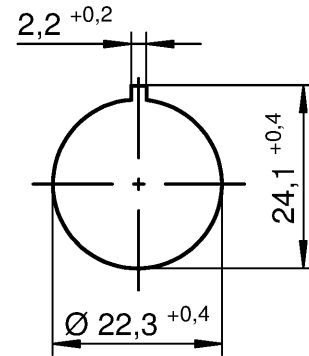
ECLASS 11	
ECLASS 8.1	27371244
ETIM 9.0	EC002034
ETIM 8.0	EC002034
ETIM 7.0	EC002034
ETIM 6.0	EC002034
ETIM 5.0	EC002034
ETIM 4.0	EC002034
ETIM 3.0	EC002034

product compliance

ROHS conformity status	compliant
REACH-SVHC conformity status	compliant



Bohrung für Einbau /
Cut-out dimensions



Qu - PEE 12/92

Teile-Nr. / Part-No.	Typ / Type	Kontaktblock / contact block		Betätiger / actuator
R1.200.1101.0	SNH1101	R1.200.0001.0	+	R1.200.0100.0
R1.200.1102.0	SNH1102	R1.200.0002.0	+	R1.200.0100.0
R1.200.1111.0	SNH1111	R1.200.0011.0	+	R1.200.0100.0
R1.200.1112.0	SNH1112	R1.200.0012.0	+	R1.200.0100.0
R1.200.1121.0	SNH1121	R1.200.0021.0	+	R1.200.0100.0
R1.200.1122.0	SNH1122	R1.200.0022.0	+	R1.200.0100.0
R1.200.1131.0	SNH1131	R1.200.0031.0	+	R1.200.0100.0
R1.200.1132.0	SNH1132	R1.200.0032.0	+	R1.200.0100.0
R1.200.1143.0	SNH1143	R1.200.0043.0	+	R1.200.0100.0

Weitere Angaben siehe KATALOG oder eKatalog.
Additional data see CATALOG or eCatalog.

www.wieland-electric.com
eshop.wieland-electric.com

ja/yes Stoffverbots- und Deklarationsliste nach WN 5020.010 ist einzuhalten.

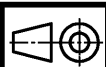
Conformity with Wieland document WN 5020.010 e (list of prohibited / declarable hazardous substances) to be declared!

Freitoleranz nach
General tolerance

CAD-Zeichnung, keine manuellen Änderungen
CAD-Drawing, no manual modifications allowed

1. Verwendung:
First Use:

Blatt:
Sheet:



Werkstoff/ Material

Maßstab/Scale

2015

Tag/ Date

Name

Zeichnung Nr./ Drawing No.

gezeichnet
drawn

23.03.

Kötzner

T R1.200.1101.0 01K

geprüft
checked

Normgepr.
Stand. check

Maße in mm/Dimensions are in mm

Datei/ File: 029821__01K.DCD

Ersatz für/ Replacement for:



wieland

www.wieland-electric.com

Type

Benennung/ Title

Teilespezifikation /
Component specification

Set Kontaktblock + Betätiger
set contact block + actuator

Index Datum/ Blatt
Date/ Sheet

Änderung/ Revision