

Data sheet

Commercial Art.No.: R1.310.1120.0

safety switch SIN 1120 AC/DC 24V

Safety switch with separated actuator and guard locking, spring-actuated, 1500 N, 4 NC contacts



Commercial Art.No.	R1.310.1120.0
EAN	4049088134654
Order Unit	1

certificates / approvals



Technical data

electrical data - contact elements

protection class	II
rated insulation voltage Ui	250 V
rated impulse voltage	2.5 kV
direct opening action	yes
short-circuit protective device	4 A gl

electrical data - magnets

protection class	II
duty cycle-	100% ED (at E1; E2)
temperature class-	F (155°C)
power consumption	< 4.4 VA
switch operations permanent	600 1/h
operating voltage	24 V

mechanical data

housing material	thermoplastic GV (UL94-V0)
cover material	thermoplastic GV (UL94-V0)
actuating head material	thermoplastic GV / ZN-GD-
separate actuator	yes
drawing force	> 27 N
interlocking principle	spring force
hold on force-	< 1500 N

min. ambient temperature	-25 °C
max. ambient temperature	70 °C
switching principle contact elements	4 slow-action contacts max.
mechanical life	10 ⁶ switching cycles
fastening	4 x M5
connection type	spring clamp connection
max. conductor cross section (flex., stranded)	0.5 mm ²
max. conductor cross section (flex., stranded)	1.5 mm ²
cable entry	3 x M20x1.5
weight	0.35 kg
installation position	operator definable
degree of protection (IP)	IP67

classification

ECLASS 11	
ECLASS 8.1	27270611
ETIM 9.0	EC002593
ETIM 8.0	EC002593
ETIM 7.0	EC002593
ETIM 6.0	EC002593
ETIM 5.0	EC002593
ETIM 4.0	EC002593

product compliance

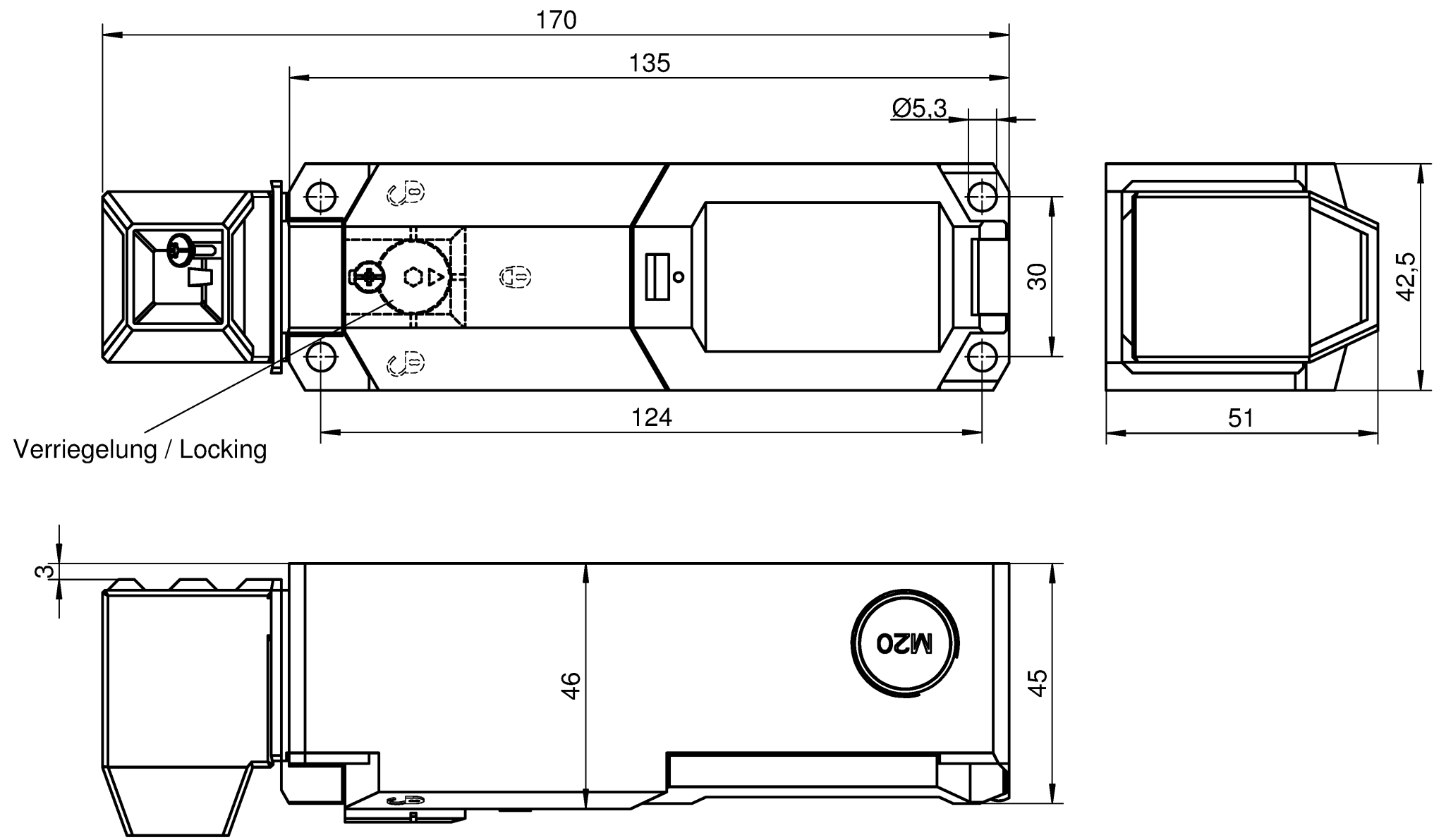
ROHS conformity status	compliant
REACH-SVHC conformity status	compliant

Weitergabe sowie Vervielfältigung dieses Dokuments, Verwertung und Mitteilung
 seines Inhalts sind verboten, soweit nicht ausdrücklich gestattet.
 The reproduction, distribution and utilization of this document as well as the
 communication of its contents to others without express authorization is prohibited.

1
2
3
4
5
6
7
8
9
10
11
12
13
14
15
16
17
18
19
20
M1
M2
M3
L
G
i
11.1
12.1
1.1

Ⓐ

Teile-Nr. / Part.-No.	Verriegelung / Locking
R1.310.1120.0	ja
R1.310.1130.0	ja
R1.310.1150.0	ja
R1.310.1220.0	ja
R1.310.1230.0	ja
R1.310.1250.0	ja
R1.310.1330.0	ja
R1.310.1350.0	ja
R1.310.2120.0	nein
R1.310.2130.0	nein
R1.310.2150.0	nein
R1.310.2220.0	nein
R1.310.2230.0	nein
R1.310.2250.0	nein



Qu - PEE 12/92

ja/yes <input checked="" type="checkbox"/> Stoffverbots- und Deklarationsliste nach WN 5020.010 ist einzuhalten. Conformity with Wieland document WN 5020.010 e (list of prohibited / declarable hazardous substances) to be declared!							
Freitoleranz nach General tolerance		CAD-Zeichnung, keine manuellen Änderungen CAD drawing, no manual modifications allowed		1. Verwendung: First Use:		Blatt: Sheet:	
Werkstoff / Material		2013 Tag/Date gezeichnet drawn 08.05. Eller geprüft checked Normgepr. Stand. check		Zeichnung Nr. / Drawing No. T R1.310.1330.0 01K			
Maßstab/Scale 1:1		Datei / File: 037671_A01K.DCD		Ersatz für / Replacement for:			
Ⓐ 10.03.15 Datum / Blatt Date / Sheet		wieland www.wieland-electric.com		Type		Benennung / Title Teilespezifikation / Component specification Sicherheitsschalter SIN safety switch SIN	
Änderung / Revision		Maße in mm / Dimensions are in mm					