

Data sheet

Commercial Art.No.: R1.320.4020.0

safety switch SMS 4020

Safety switch with separated actuator, 10 N, 2 NC contacts, standard actuator



Commercial Art.No.	R1.320.4020.0
EAN	4049088135507
Order Unit	1

certificates / approvals



Technical data

electrical data - contact elements

rated insulation voltage U_i	250 V
rated impulse voltage	2.5 kV
utility category	3 A (AC-15 at 250V AC) / 10 A (DC-13 at 24V DC)
short-circuit protective device	6 A class gG fuse, fuse integral < 100 A ² s

mechanical data

housing material	thermoplastic GV (UL94-V0)
cover material	thermoplastic GV (UL94-V0)
separate actuator	yes
drawing force	30 N
min. ambient temperature	-30 °C
max. ambient temperature	80 °C
mechanical life	10 ⁶ switching cycles
connection type	screw connection
max. conductor cross section (flex., stranded)	0.5 mm ²
max. conductor cross section (flex., stranded)	1.5 mm ²
cable entry	3 x M20x1.5
weight	0.15 kg
installation position	operator definable
degree of protection (IP)	IP65

classification

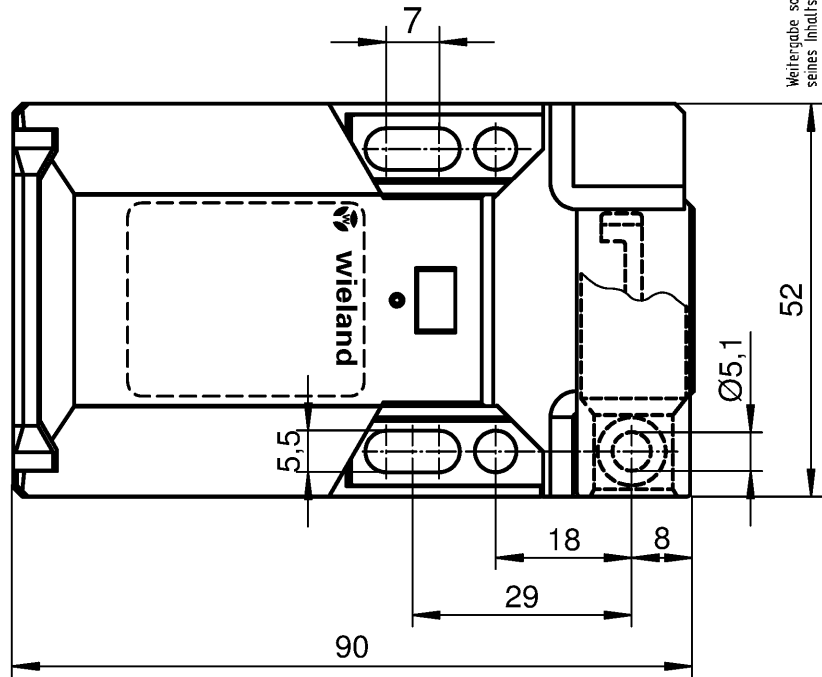
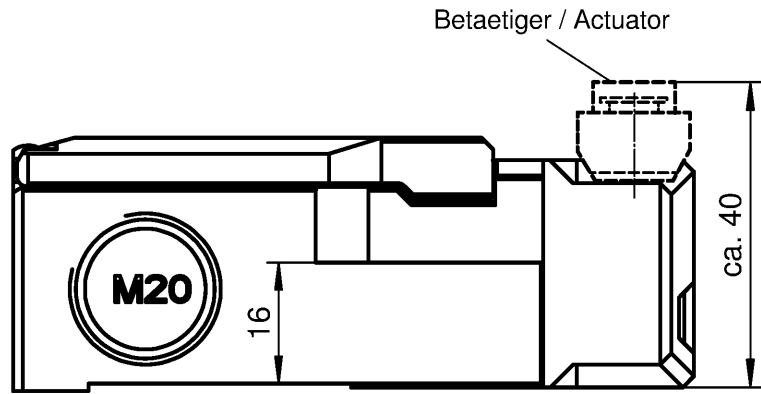
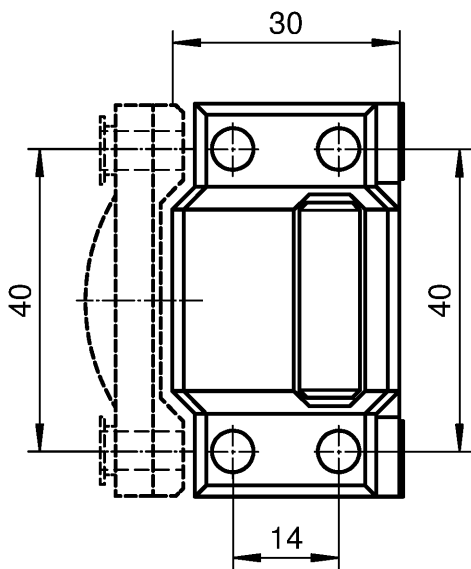
ECLASS 11	
-----------	--

ECLASS 8.1	27270610
ETIM 9.0	EC002592
ETIM 8.0	EC002592
ETIM 7.0	EC002592
ETIM 6.0	EC002592
ETIM 5.0	EC002592
ETIM 4.0	EC002592

product compliance

ROHS conformity status	compliant
REACH-SVHC conformity status	compliant

Qu - PEE 12/92



Weitergabe sowie Vervielfältigung dieses Dokuments, Verwertung und Mitteilung seines Inhalts sind verboten, soweit nicht ausdrücklich gestattet. Die reproduction, distribution and utilization of this document as well as the communication of its contents to others without express authorization is prohibited.

Teile-Nr. / Part.-No.
R1.320.4020.0
R1.320.4040.0
R1.320.4070.0
R1.320.4120.0
R1.320.4140.0
R1.320.4170.0
R1.320.4220.0
R1.320.4240.0
R1.320.4270.0

Weitere Angaben siehe KATALOG oder eKatalog.
Additional data see CATALOG or eCatalog.

www.wieland-electric.com
eshop.wieland-electric.com

ja/yes Stoffverbots- und Deklarationsliste nach WN 5020.010 ist einzuhalten.
Conformity with Wieland document WN 5020.010 e (list of prohibited / declarable hazardous substances) to be declared!

Freitoleranz nach General tolerance		CAD-Zeichnung, keine manuellen Änderungen CAD-Drawing, no manual modifications allowed			1. Verwendung: First Use:		Blatt: Sheet:	
		Werkstoff/ Material		2015	Tag/ Date	Name		
Maßstab/Scale				gezeichnet drawn	10.03.	Kötzner		
				geprüft checked				
				Normgepr. Stand. check				
Datei/ File: 037551__01K.DCD				Ersatz für/ Replacement for:				
Index		Datum/ Blatt Date/ Sheet		Type		Benennung/ Title		
Änderung/ Revision		 www.wieland-electric.com				Teilespezifikation / Component specification Sicherheitsschalter SMS / safety switch SMS		

Zeichnung Nr./ Drawing No.
T R1.320.4020.0 01K

Maße in mm/Dimensions are in mm

A
1
2
3
4
5
6
7
8
9
10
11
12
13
14
15
16
17
18
19
20
M1
M2
M3
L
G
i
11.1
12.1
1.1