

## Data sheet

Commercial Art.No.: R1.320.4140.0

safety switch SMS 4140

Safety switch with separated actuator-(Radius), 10 N, 1 NC / 1 NO contact, radius actuator



Commercial Art.No.	R1.320.4140.0
EAN	4049088135491
Order Unit	1

certificates / approvals



## Technical data

### electrical data - contact elements

rated insulation voltage $U_i$	250 V
rated impulse voltage	2.5 kV
utility category	3 A (AC-15 at 250V AC) / 10 A (DC-13 at 24V DC)
short-circuit protective device	6 A class gG fuse, fuse integral < 100 A <sup>2</sup> s

### mechanical data

housing material	thermoplastic GV (UL94-V0)
cover material	thermoplastic GV (UL94-V0)
separate actuator	yes
drawing force	10 N
min. ambient temperature	-30 °C
max. ambient temperature	80 °C
mechanical life	10 <sup>6</sup> switching cycles
connection type	screw connection
max. conductor cross section (flex., stranded)	0.5 mm <sup>2</sup>
max. conductor cross section (flex., stranded)	1.5 mm <sup>2</sup>
cable entry	3 x M20x1.5
weight	0.15 kg
installation position	operator definable
degree of protection (IP)	IP65

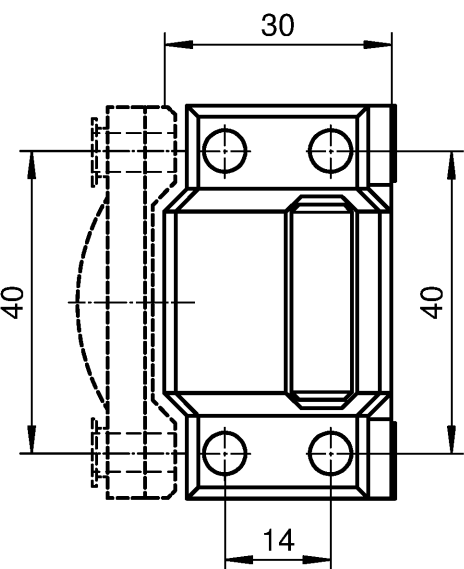
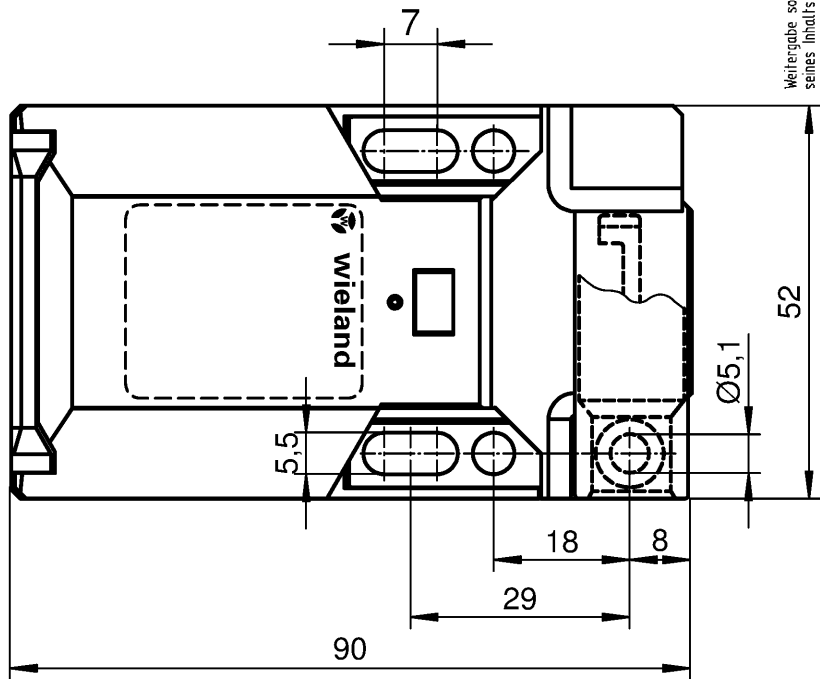
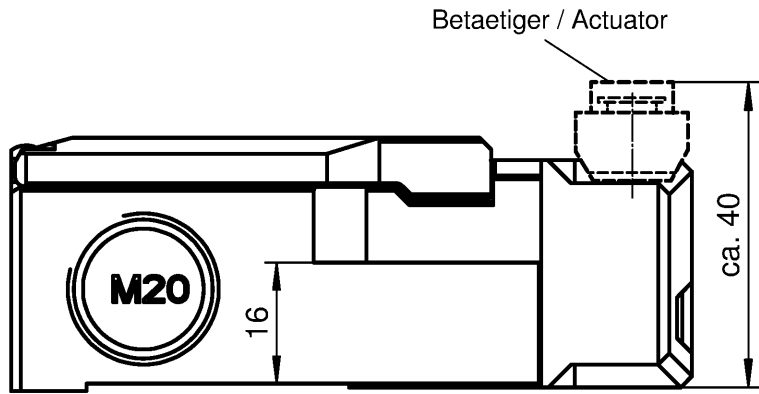
### classification

ECLASS 11	
-----------	--

ECLASS 8.1	27270610
ETIM 9.0	EC002592
ETIM 8.0	EC002592
ETIM 7.0	EC002592
ETIM 6.0	EC002592
ETIM 5.0	EC002592
ETIM 4.0	EC002592

**product compliance**

ROHS conformity status	compliant
REACH-SVHC conformity status	compliant



Betaetiger / Actuator

M20

ca. 40

30

7

40

40

14

90

52

5,5

18

8

29

Ø5,1

90

52

5,5

18

8

29

Ø5,1

Weitergabe sowie Vervielfältigung dieses Dokuments, Verwertung und Mitteilung seines Inhalts sind verboten, soweit nicht ausdrücklich gestattet. Die Reproduktion, Distribution und Utilization of this document as well as the communication of its contents to others without express authorization is prohibited.

Qu - PEE 12/92

Teile-Nr. / Part.-No.
R1.320.4020.0
R1.320.4040.0
R1.320.4070.0
R1.320.4120.0
R1.320.4140.0
R1.320.4170.0
R1.320.4220.0
R1.320.4240.0
R1.320.4270.0

Weitere Angaben siehe KATALOG oder eKatalog.  
Additional data see CATALOG or eCatalog.

[www.wieland-electric.com](http://www.wieland-electric.com)  
[eshop.wieland-electric.com](http://eshop.wieland-electric.com)



ja/yes  Stoffverbots- und Deklarationsliste nach WN 5020.010 ist einzuhalten.  
Conformity with Wieland document WN 5020.010 e (list of prohibited / declarable hazardous substances) to be declared!

Freitoleranz nach  
General tolerance

CAD-Zeichnung, keine manuellen Änderungen  
CAD-Drawing, no manual modifications allowed

1. Verwendung:  
First Use:

Blatt:  
Sheet:

Werkstoff/ Material		2015	Tag/ Date	Name	Zeichnung Nr./ Drawing No.
 <b>wieland</b> <a href="http://www.wieland-electric.com">www.wieland-electric.com</a>		gezeichnet drawn	10.03.	Kötzner	
Maßstab/Scale		geprüft checked			
Datei/ File: 037551__01K.DCD		Ersatz für/ Replacement for:			
 <b>wieland</b> <a href="http://www.wieland-electric.com">www.wieland-electric.com</a>		Type	Benennung/ Title Teilespezifikation / Component specification Sicherheitsschalter SMS / safety switch SMS		
Index	Datum/ Blatt Date/ Sheet	Änderung/ Revision			