

Data sheet

Commercial Art.No.: R1.340.6250.0

safety switch SLS 6250

Position switch, metal plunger, snap-action contact, 1 NC contact / 1 NO contact, screw connection



Commercial Art.No.	R1.340.6250.0
EAN	4049088426940
Order Unit	1

certificates / approvals



Technical data

general

ambient temperature min.	-30 °C
ambient temperature max.	75 °C
storage temperature / transport min.	-40 °C
storage temperature / transport max.	80 °C
housing material	thermoplastic GV (UL94-V0)
cover material	thermoplastic GV (UL94-V0)
weight	60 g
width	31 mm
height	74 mm
depth	30.3 mm
suitable for safety functions	yes

mechanical data

mechanical life time	10 x 10 ⁶
connection type	screw connection
cable entry	1 x M20x1.5
installation position	operator definable
degree of protection (IP)	IP66/IP67
type of excitation	plunger
actuating force max.	≤ 30 N
actuating force min.	≥ 10 N
pollution degree	3
device class	category 3 (MC3+CC2+SC1) IEC/EN 60947-1

actuating speed	0,06 m/min < V <30 m/min
bounce time	< 3 ms
changeover time	< 8 ms
operating cycles	3600 1/h
number of contacts as normally closed contact	1
number of contacts as normally open contact	1
maximum conductor cross section (flex., stranded) with cable end sleeve	1.5 mm ²
minumum conductor cross section (flex., stranded) with cable end sleeve	0.34 mm ²

electrical data

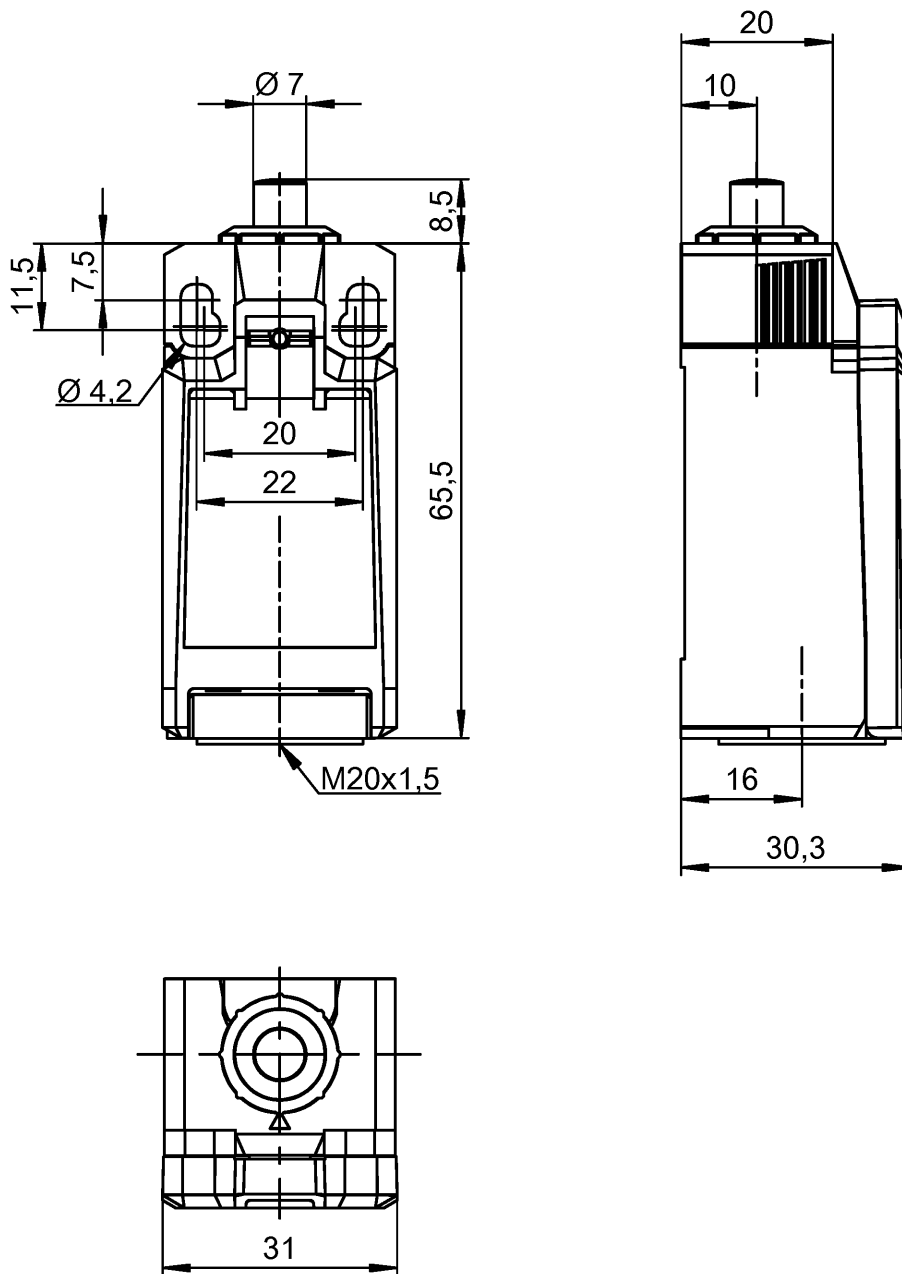
protection class	II
operating voltage	240V AC / 24 V DC
rated frequency min.	50 Hz
rated frequency max.	60 Hz
isolation voltage	400 V
rated impulse voltage	4 kV
utility category	AC-15: 230V/1,5A; DC-13: 24V/4A
short-circuit protective device	safety fuse 4 A Klasse gG, enamel integral < 100 A ² s
thermal current	5 A
min. switching current	1 mA
conditional short-circuit current	400 A
contact resistance	25 mOhm
type of electric connection	cable
B10d NC	20 x 10 ⁶
B10d NO	1 x 10 ⁶

classification

ECLASS 11	
ECLASS 8.1	27270601
ETIM 9.0	EC000030
ETIM 8.0	
ETIM 7.0	
ETIM 6.0	
ETIM 5.0	EC000030
ETIM 4.0	EC000030
ETIM 3.0	EC000030

product compliance

ROHS conformity status	compliant
REACH-SVHC conformity status	compliant



Qu - PEE 12/92

Teile-Nr. / Part No.	Typ / Type
R1.340.6250.0	SLS 6250
R1.340.6230.0	SLS 6230

Weitere Angaben siehe KATALOG oder eKatalog.
Additional data see CATALOG or eCatalog.

www.wieland-electric.com
eshop.wieland-electric.com



ja/yes Stoffverbots- und Deklarationsliste nach WN 5020.010 ist einzuhalten.
Conformity with Wieland document WN 5020.010 e (list of prohibited / declarable hazardous substances) to be declared!

Freitoleranz nach
General tolerance

CAD-Zeichnung, keine manuellen Änderungen
CAD-Drawing, no manual modifications allowed

1. Verwendung:
First Use:

Blatt:
Sheet:

Werkstoff/ Material		2017	Tag/ Date	Name	Zeichnung Nr./ Drawing No.
 Maßstab/Scale		gezeichnet drawn	25.10.	Koetzner	T R1.340.6250.0 01K
		geprüft checked			
		Normgepr. Stand. check			Maße in mm/Dimensions are in mm
Datei/ File: 045661_01K/R1.340.6250.0.DCD		Ersatz für/ Replacement for:			
 wieland www.wieland-electric.com		Type	Benennung/ Title		
		Teilespezifikation / Component specification Sicherheitschalter SLS / safety switch SLS			
Index	Datum/ Blatt Date/ Sheet				
Änderung/ Revision					