

Data sheet

Commercial Art.No.: R1.450.1130.0

safe HTL encoder SAFE HTL ENCODER SENC-58H14HTL1024R

Safe HTL Encoder, SIL3, PLe, Hollow shaft, Size 58mm, Aluminium, 14 mm shaft diameter, Power supply 11-30V, digital HTL output (AA/, BB/, ZZ/), 1024ppr, M23, 12 pins, Counter-Clockwise wiring, Radial



Commercial Art.No.	R1.450.1130.0
EAN	4049088521768
Order Unit	1

certificates / approvals



Technical data

general

nominal voltage	24 V
operating voltage min.	11 V
operating voltage max.	30 V
galvanic isolation	no
rated current	100 mA
ambient temperature min.	-20 °C
ambient temperature max.	85 °C
storage temperature / transport min.	-20 °C
storage temperature / transport max.	85 °C
degree of protection (IP)	IP65
standards	IEC 61508, IEC 13849-1, IEC 61800-5-2, IEC 62061

safety parameters

category (ISO 13849-1)	4
PL (ISO 13849-1)	level e
SIL _{CL} (IEC 62061)	3
PFH _d (Low demand mode)	6.6 E-5
PFH _d (High demand mode)	7.53 E-10 1/h
HFT	1
DC	99 %
MTTF _d	1515 a

T _M	20 a
----------------	------

mechanical data

housing material	die-cast zinc
shaft material	AISI 303 stainless steel
bearing type	series 6803 - sealed
mechanical life time	>24*10 ⁹ rotations/ 100000 hours
weight	280 g

electrical data

output signal	digital HTL-Signal (11-30V DC)
pin coding	A,A',B,B' for safety incremental Pulses
color-coding encoder cable	A:grey,A':pink,B:brown,B':green,O:red,O':black,+V:blue and green/brown, 0V:white und white/green
resolution	1024 ppm
short-circuit protective device	yes
reverse polarity protection	yes

safety-related data

PFD avg. speed monitoring for 40°C	6.60E-05
PFH speed monitoring for 40°C	7.53E-10
MTTFd speed monitoring for 40°C	1515
DCavg speed monitoring for 40°C	99 %
mission time speed monitoring for 40°C	20 a
PFD avg. speed monitoring for 80°C	2.97E-04
PFH speed monitoring for 80°C	7.53E-10
MTTFd speed monitoring for 80°C	336
DCavg speed monitoring for 80°C	99 %
mission time speed monitoring for 80°C	20 a
PFD avg. position monitoring for 40°C	6.60E-05
PFH position monitoring for 40°C	7.53E-10
DCavg position monitoring for 40°C	99 %
mission time position monitoring for 40°C	20 a
PFD avg. position monitoring for 80°C	2.97E-04
PFH position monitoring for 80°C	3.39E-09
DCavg position monitoring for 80°C	99 %
mission time position monitoring for 80°C	20 a
PL category	PLe/Kat4
SIL _{CL} (IEC 62061)	SIL3

classification

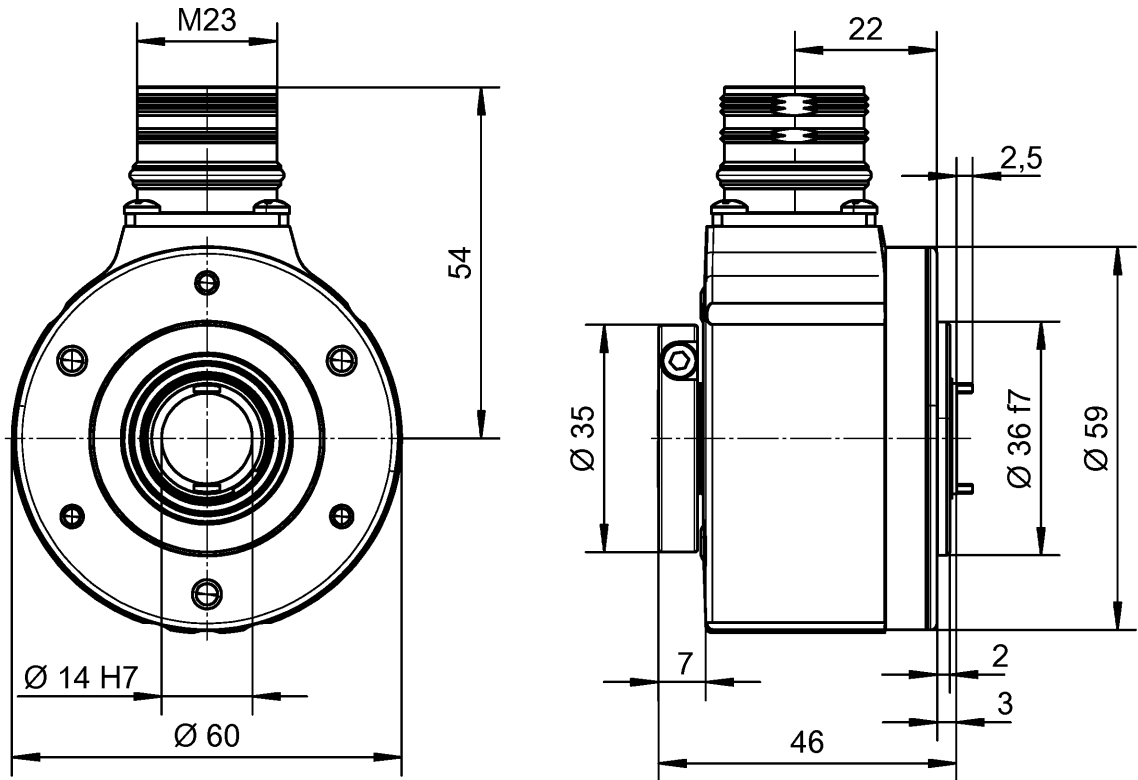
ECLASS 11	27272500
ECLASS 8.1	27272590
ETIM 9.0	EC001486
ETIM 8.0	EC001486
ETIM 7.0	EC001486
ETIM 6.0	EC001486
ETIM 5.0	EC001486

product compliance

ROHS conformity status	compliant
REACH-SVHC conformity status	compliant

Accessories

Commercial Art.No.:	Article-type description:	Description:
R1.450.9110.0	stator coupling SAFE HTL ENCODER COUP-STATOR-58-S	Stator coupling for, Size 58mm , Stainless-Steel
R1.450.9120.0	tether arm coupling SAFE HTL ENCODER COUP-TETHER-58-S	Tether arm coupling for, Size 58mm , Stainless-Steel
R1.450.9210.0	flange adapter SAFE HTL ENCODER FLANGE-58-A	Flange adapter, Size 58mm , Aluminium
R1.450.9310.0	encoder cable SAFE HTL ENCODER CABLE-M23CKW-PUR-015	Encoder cable, 1,5 m, Head A:M23, 12 pins, Clockwise connector, Counter -Clockwise wiring, Cable:PUR, shielded, M23, 12 pins, Counter-Clockwise wiring, Head B: free end
R1.450.9314.0	encoder cable SAFE HTL ENCODER CABLE-M23CKW-PUR-030	Encoder cable, 3 m, Head A:M23, 12 pins, Clockwise connector, Counter-C lockwise wiring, Cable:PUR, shielded, M23, 12 pins, Counter-Clockwise wi ring, Head B: free end
R1.450.9320.0	encoder cable SAFE HTL ENCODER CABLE-M23CKW-PUR-050	Encoder cable, 5 m, Head A:M23, 12 pins, Clockwise connector, Counter-C lockwise wiring, Cable:PUR, shielded, M23, 12 pins, Counter-Clockwise wi ring, Head B: free end
R1.450.9324.0	encoder cable SAFE HTL ENCODER CABLE-M23CKW-PUR-070	Encoder cable, 7 m, Head A:M23, 12 pins, Clockwise connector, Counter-C lockwise wiring, Cable:PUR, shielded, M23, 12 pins, Counter-Clockwise wi ring, Head B: free end
R1.450.9330.0	encoder cable SAFE HTL ENCODER CABLE-M23CKW-PUR-100	Encoder cable, 10 m, Head A:M23, 12 pins, Clockwise connector, Counter- Clockwise wiring, Cable:PUR, shielded, M23, 12 pins, Counter-Clockwise w iring, Head B: free end
R1.450.9335.0	encoder cable SAFE HTL ENCODER CABLE-M23CKW-PUR-150	Encoder cable, 15 m, Head A:M23, 12 pins, Clockwise connector, Counter- Clockwise wiring, Cable:PUR, shielded, M23, 12 pins, Counter-Clockwise w iring, Head B: free end
R1.450.9340.0	encoder cable SAFE HTL ENCODER CABLE-M23CKW-PUR-200	Encoder cable, 20 m, Head A:M23, 12 pins, Clockwise connector, Counter- Clockwise wiring, Cable:PUR, shielded, M23, 12 pins, Counter-Clockwise w iring, Head B: free end





Qu - PEE 12/92

Teile-Nr. / Part No.	Typ / Type
R1.450.1110.0	SENC-58H14HTL0360R
R1.450.1120.0	SENC-58H14HTL0512R
R1.450.1130.0	SENC-58H14HTL1024R

Weitere Angaben siehe KATALOG oder eKatalog.
Additional data see CATALOG or eCatalog.

www.wieland-electric.com
eshop.wieland-electric.com

ja/yes Stoffverbots- und Deklarationsliste nach WN 5020.010 ist einzuhalten.
Conformity with Wieland document WN 5020.010 e (list of prohibited / declarable hazardous substances) to be declared!

Freitoleranz nach General tolerance		CAD-Zeichnung, keine manuellen Änderungen CAD-Drawing, no manual modifications allowed			1. Verwendung: First Use:		Blatt: Sheet:		
 Maßstab/Scale		Werkstoff/ Material		2018	Tag/ Date	Name	Zeichnung Nr./ Drawing No.		
				gezeichnet drawn	13.12.	Koetzner	T R1.450.1110.0 01K		
				geprüft checked			Maße in mm/Dimensions are in mm		
		Datei/ File: 046221_01K/R1.450.1110.0.DCD		Ersatz für/ Replacement for:					
		 wieland www.wieland-electric.com		Type		Benennung/ Title Teilespezifikation / Component specification SENC - sicherer HTL-Drehgeber / safe HTL-encoder			
Index	Datum/ Blatt Date/ Sheet	Änderung/ Revision							