

KEL-QTE round pluggable cable entry plates

for cables with connectors, tool-free assembly / IP54



The KEL-QTE easily routes pre-terminated cables, multi-conductors, hoses or conduits without using any tools for assembly.

The KEL-QTE fits on cut-outs of 20 mm in diameter.

IP54

HL3
EN 45545-2

ECOLAB
certified

UV
ISO 4892-2A

PNEUMATICS

RoHS
compliant

REACH
COMPLIANCE

Made in
Germany

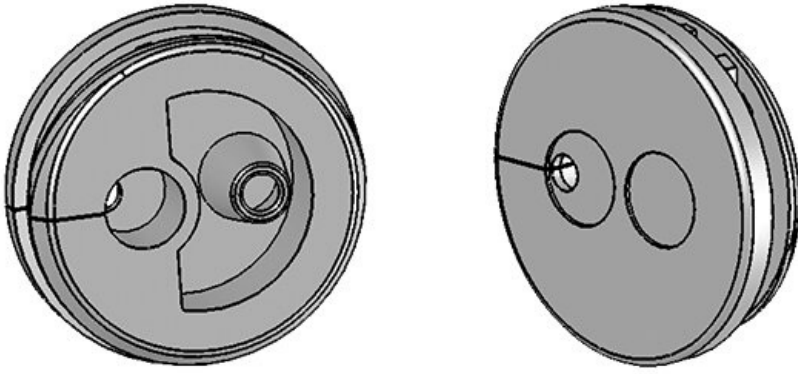
Specifications

IP rating (EN 60529)	IP54
Material	Elastomer
Flame class	UL94-V0, self-extinguishing
Operating temperature	-40 C° to 100 C°
Properties	UV-resistant, silicone free, halogen free
Mounting options	Snap-in
height	2 mm

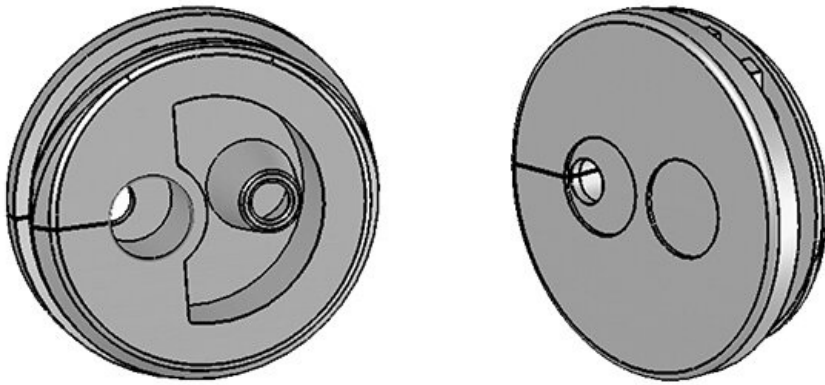
Advantages & benefits

- Quick assembly without tools
- Routing of cables with and without connectors
- Upon disassembly (e.g. maintenance) screwing and unscrewing of the cable entry frame is not necessary
- Suitable for metric cut-outs

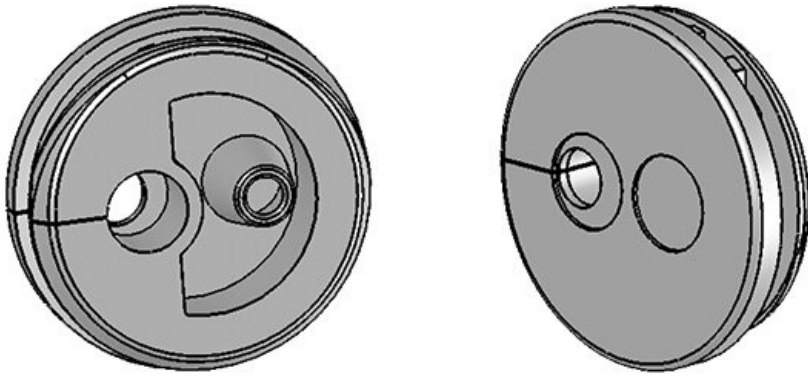
Product types & sizes



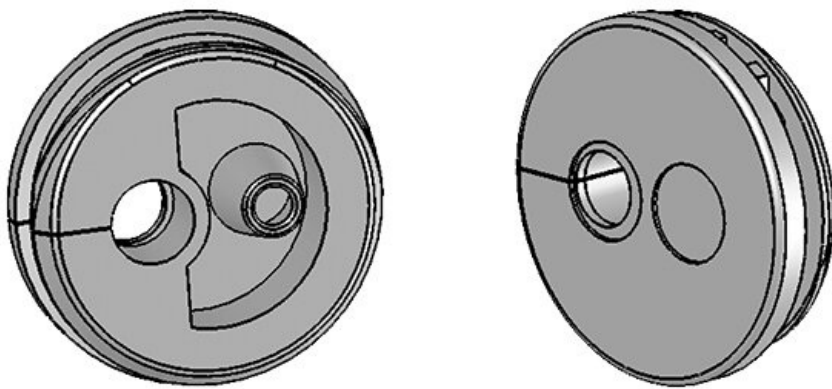
Part No. **43412**
EAN **4251269309**
793
Package **10**
quantity
For max. no. of **2**
cables
Max. cable **3,2 mm**
diam., with
connector
Max. cable **5,2 mm**
diam., without
connector
Height **6 mm**
Mounting **2 mm**
height
For min. wall **1,5 mm**
thickness
For max. wall **2,5 mm**
thickness
Min. cable **2,6 mm**
diam., with
connector
Min. cable **1 mm**
diam., without
connector



Part No. **43413**
EAN **4251269309**
809
Package quantity **10**
For max. no. of **2**
cables
Max. cable diam., with connector **3,8 mm**
Max. cable diam., without connector **5,2 mm**
Height **6 mm**
Mounting height **2 mm**
For min. wall thickness **1,5 mm**
For max. wall thickness **2,5 mm**
Min. cable diam., with connector **3,1 mm**
Min. cable diam., without connector **1 mm**



Part No.	43414
EAN	4251269309
	816
Package quantity	10
For max. no. of 2 cables	
Max. cable diam., with connector	4,8 mm
Max. cable diam., without connector	5,2 mm
Height	6 mm
Mounting height	2 mm
For min. wall thickness	1,5 mm
For max. wall thickness	2,5 mm
Min. cable diam., with connector	3,8 mm
Min. cable diam., without connector	1 mm



Part No. **43415**
EAN **4251269309**
823
Package quantity **10**
For max. no. of **2** cables
Max. cable diam., with connector **5,6 mm**
Max. cable diam., without connector **5,2 mm**
Height **6 mm**
Mounting height **2 mm**
For min. wall thickness **1,5 mm**
For max. wall thickness **2,5 mm**
Min. cable diam., with connector **4,7 mm**
Min. cable diam., without connector **1 mm**