

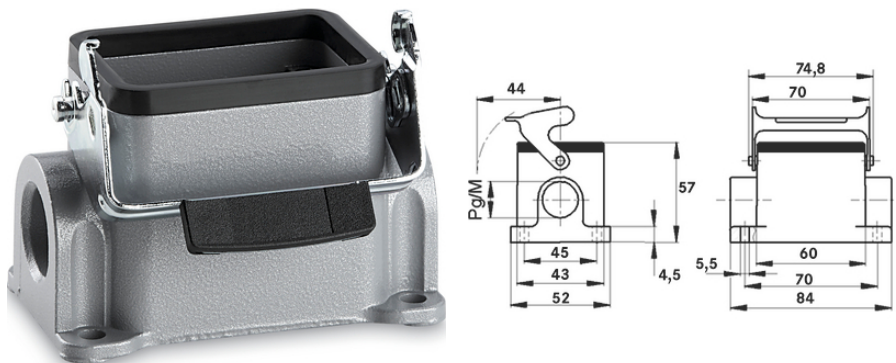
EPIC® H-B 6 SGRL-LB

Housing design H-B. The industry standard.

The robust metal housing is suitable for inserts with outstanding electrical properties. It has 2 cable entries and can be used in the plastics industry.

Info

For easy introduction of two cables
Protection rating UL50E tested



Supplementary automation components from Lapp



Mechanical and plant engineering



Mechanical resistance



Robust



Waterproof

Benefits

The smallest housing out of the H-B series. For inserts with high electrical properties

Application range

Plant engineering
Control engineering
Plastics industry

Product features

Surface-mount base, low version

Last Update (28.10.2024)

©2024 Lapp Group - Technical changes reserved

Product Management www.lappkabel.de

You can find the current technical data in the corresponding data sheet.

PN 0456 / 02_03.16

EPIC® H-B 6 SGRL-LB

Single lever
2 cable entries

Technical Data

| | |
|------------------------|--|
| Classification ETIM 5: | ETIM 5.0 Class-ID: EC000437 ETIM 5.0 Class-Description: Housing for industrial connectors |
| Classification ETIM 6: | ETIM 6.0 Class-ID: EC000437 ETIM 6.0 Class-Description: Housing for industrial connectors |
| Material: | Housing: powder-coated aluminium alloy, grey Lever: zinc-plated steel Sealing: NBR |
| Protection rating: | IP 65 (latched) NEMA 250, UL50E: 12, 4 (latched) |
| VDE-tested: | Certified production control: VDE-REG. no.: B437 UL-tested: UL File Number: E75770 |
| Temperature range: | -40°C to +100°C, short-term up to +125°C |

Note

Photographs and graphics are not to scale and do not represent detailed images of the respective products. Prices are net prices without VAT and surcharges. Sale to business customers only.

EPIC® H-B 6 SGRL-LB

| Article number | Article description | M | PG | Packaging unit |
|---|---------------------|----|----|----------------|
| H-B housing: surface-mount base (2 cable entries, single lever) | | | | |
| 10006000 | H-B 6 SGRL 16 | - | 16 | 10 |
| 19006000 | H-B 6 SGRL M20 | 20 | - | 10 |
| 79006600 | H-B 6 SGRL M25 | 25 | - | 10 |

Last Update (28.10.2024)

©2024 Lapp Group - Technical changes reserved

Product Management www.lappkabel.de

You can find the current technical data in the corresponding data sheet.

PN 0456 / 02_03_16