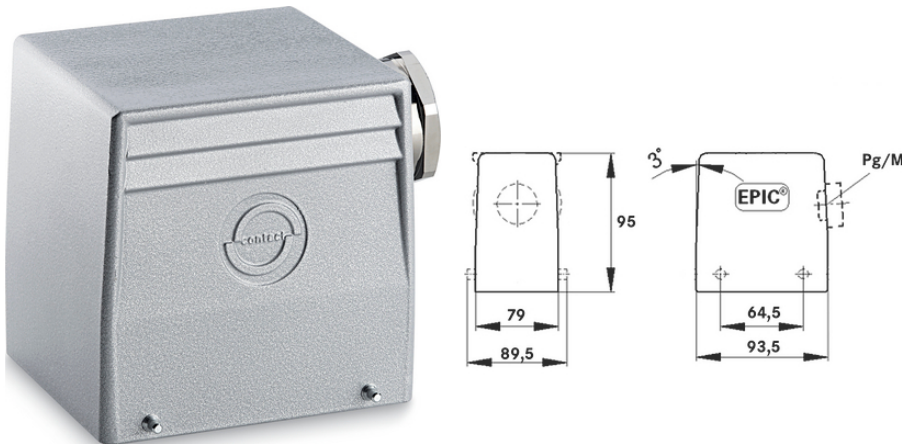


## EPIC® H-B 32 TS

Housing design H-B for 2 inserts.

The robust connector housing with pivots for a direct lever and a side cable entry is ideal for use in control systems.



### Benefits

Two inserts in one housing. With two levers for high safety

M40 housing extension on M50 with SKINTOP 53112083 possible (clamping range 27 - 35 mm)

### Application range

Plant engineering  
Control engineering  
Plastics industry

### Product features

Hood  
Bolts for double lever  
Side cable entry  
Versions with / without neck

### Technical Data

Classification ETIM 5:

ETIM 5.0 Class-ID: EC000437

ETIM 5.0 Class-Description: Housing for industrial connectors

Classification ETIM 6:

ETIM 6.0 Class-ID: EC000437

ETIM 6.0 Class-Description: Housing for industrial connectors

Material:

Housing: powder-coated aluminium alloy, grey

Lever: zinc-plated steel

Sealing: NBR

Protection rating:

IP 65 (latched)

Temperature range:

-40°C to +100°C, short-term up to +125°C

### Note

Last Update (23.10.2024)

©2024 Lapp Group - Technical changes reserved

Product Management [www.lappkabel.de](http://www.lappkabel.de)

You can find the current technical data in the corresponding data sheet.

PN 0456 / 02\_03.16

## EPIC® H-B 32 TS

Photographs and graphics are not to scale and do not represent detailed images of the respective products.  
Prices are net prices without VAT and surcharges. Sale to business customers only.

**EPIC® H-B 32 TS**

Article number	Article description	M	PG	Neck	Packaging unit
H-B housing: hood (side cable entry, bolts for double lever)					
10135000	H-B 32 TS 21	-	21	yes	5
10136000	H-B 32 TS 29	-	29	yes	5
10135600	H-B 32 TS 29	-	29	-	5
19135000	H-B 32 TS M25	25	-	-	5
19136000	H-B 32 TS M32	32	-	-	5
19136200	H-B 32 TS M40	40	-	-	5

Last Update (23.10.2024)

©2024 Lapp Group - Technical changes reserved

Product Management [www.lappkabel.de](http://www.lappkabel.de)You can find the current technical data in the corresponding data sheet.  
PN 0456 / 02\_03\_16