

## Data sheet

Art.No.: 96.071.4053.1

connector RST20I7S B1 ZR1 SW

RST® CLASSIC connector, straight, number of poles 7, female, connection type screw connection, rated voltage 250 V / 400 V, rated current 16 A, cable diameter 6 - 10 mm, color of coding/ contact carrier black



Art.No.	96.071.4053.1
EAN	4049088423840
Order Unit	1

certificates / approvals



## Technical data

### general

rated current	16 A
rated voltage	250 V / 400 V
rated impulse voltage	4 kV
strain relief	yes
pollution degree	3
lockable	self-locking (unlocking by tool)
color of coding/ contact carrier	black
Pole codification	1, 2, 3, 4/N, 5, 6, PE
color of housing inclusive strain relief	black
RAL-Nummer Codierung/Kontakteinsatz	9005

### connection data

cable diameter max.	10 mm
cable diameter min.	6 mm
connection cross section solid mm <sup>2</sup> max.	1.5 mm <sup>2</sup>
connection cross section solid mm <sup>2</sup> min.	0.2 mm <sup>2</sup>
connection cross section fine stranded mm <sup>2</sup> max.	1.5 mm <sup>2</sup>
connection cross section fine stranded mm <sup>2</sup> min.	0.2 mm <sup>2</sup>
terminations per pole	1
sheath strip length	25 mm
wire strip length	8 mm

### technical data UL

connection cross section stranded AWG min.	20 AWG
UL classification housing	UL-V2
UL classification strain relief	UL-V2

**model**

model	female
connection type	screw connection
degree of protection (IP)	IP66/68 (3m;2h) /IP69

**material**

housing material	polyamide
halogen free	yes
contact material	CuZn
fire load	0.324 kWh/St
insulation components continuous temperature	100 °C
surface finish	silver-plated

**dimensions**

length	84 mm
width	34.6 mm
height	34.6 mm

**note**

note	3 poles max. 20A, 4 poles max. 5A
------	-----------------------------------

**classification**

ECLASS 11	
ECLASS 8.1	27440605
ETIM 9.0	EC002560
ETIM 8.0	EC002560
ETIM 7.0	EC002560
ETIM 6.0	EC002560
ETIM 5.0	EC002560
ETIM 4.0	EC002560

**product compliance**

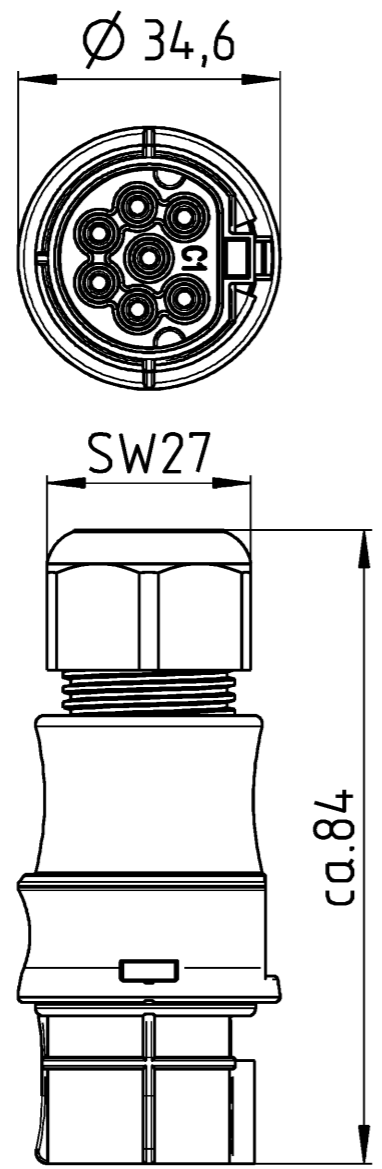
ROHS conformity status	compliant/exempted
ROHS exceptions	III-6(c)
REACH-SVHC conformity status	Duty-To-Declare
REACH-SVHC substances	Lead
REACH-SVHC CAS numbers	7439-92-1

A  
Weitergabe sowie Vervielfältigung dieses Dokuments, Verwertung und Mitteilung seines Inhalts sind verboten, soweit nicht ausdrücklich gestattet. The reproduction, distribution and utilization of this document as well as the communication of its contents to others without express authorization is prohibited.

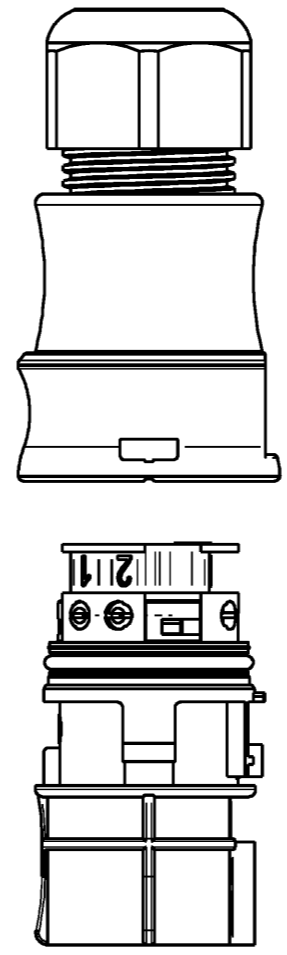
B  
These dimensions will be especially checked at delivery  
Only inspection dimensions  
With /E marked dimensions are only valid for internal use

C  
Diese Maße werden bei Abnahme besonders geprüft  
Ausschließlich Prüfmaße  
Mit /E gekennzeichnete Maße sind nur für interne Zwecke gültig

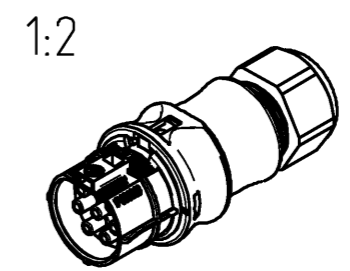
F



Auslieferungszustand /delivery status



Teile-Nr./ Part no.	Typ/ Type	Kodierung/ coding
96.071.4053.0	RST20I7S B1 ZR1 GL	
96.071.4053.1	RST20I7S B1 ZR1 SW	
9L.071.4053.0	RST20I7S 11 ZR1 GL	
9L.071.4053.1	RST20I7S 11 ZR1 SW	
96.071.4053.9	RST20I7S B1 ZR1 BL07	
9L.071.4053.9	RST20I7S 11 ZR1 BL07	
96.061.4053.6	RST20I6S B1 ZR1 TB04	
9L.061.4053.6	RST20I6S 11 ZR1 TB04	
96.071.4053.6	RST20I7S B1 ZR1 TB04	
9L.071.4053.6	RST20I7S 11 ZR1 TB04	



● = Pol verschlossen /pole closed

Tolerierung Size ISO 14405 $\text{\textcircled{E}}$ / Tolerance system Size ISO 14405 $\text{\textcircled{E}}$ . (This ISO-standard describes the envelope principle. According to the envelope principle the deviations of form and parallelism are limited by the size tolerances).		ja/yes <input checked="" type="checkbox"/> Stoffverbots- und Deklarationsliste nach WN 5020.010 ist einzuhalten. Conformity with Wieland document WN 5020.010 e (list of prohibited / declarable hazardous substances) to be declared!	
Freitoleranz nach General tolerance	CAD - Zeichnung, keine manuellen Änderungen CAD - drawing, no manual modifications allowed	1. Verwendung: First Use:	Blatt: Sheet: 1 von 1 of 1
/	Werkstoff / Material	Tag/Date	Name
/	Maßstab / Scale	gezeichnet drawn	Hollet
/	1:1	geprüft checked	
/	Vol. mm <sup>3</sup> Dfl./Srf. mm <sup>2</sup>	Normgepr. Stand. check	
/	Ersatz für / Replacement for:	Zeichnung Nr. / Drawing No.	
/		96.071.4053.0 13K a	
/		Maße in mm / Dimensions are in mm	
a	14.05.2018 / Datum / Blatt Date / Sheet	Type	Benennung/Title
Index		RST20I	BU_SCHRAUB
Änderung / Revision		ohne Drahtschutz female, screw connection without wire protection	
		www.wieland-electric.com	