

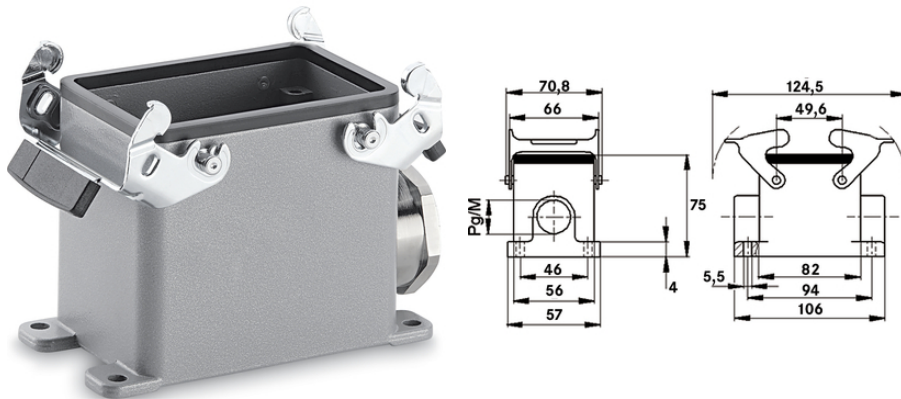
EPIC® H-A 32 SGR

Rugged housings for 2 inserts

The compact, robust metal housing for double size H-A 32 is ideal for machine and device manufacturing and in control systems.

Info

Compact, robust metal housings for double size H-A 32



Waterproof



Robust



Mechanical resistance



Mechanical and plant engineering

Benefits

For two inserts of the small H-A, H-D and STA series. Space-saving

Application range

Machine and equipment manufacturing
Control engineering

Product features

Surface-mount base
Dual levers
1 cable entry

Technical Data

Classification ETIM 5:

ETIM 5.0 Class-ID: EC000437

ETIM 5.0 Class-Description: Housing for industrial connectors

Last Update (23.04.2024)

©2024 Lapp Group - Technical changes reserved

Product Management www.lappkabel.de

You can find the current technical data in the corresponding data sheet.

PN 0456 / 02_03.16

EPIC® H-A 32 SGR

| | |
|------------------------|--|
| Classification ETIM 6: | ETIM 6.0 Class-ID: EC000437 ETIM 6.0 Class-Description: Housing for industrial connectors |
| Material: | Housing: aluminium alloy, grey Lever: zinc-plated steel Sealing: NBR |
| Protection rating: | IP 65 (latched) |
| VDE-tested: | UL-tested: UL File Number: E75770 |
| Temperature range: | -40°C to +100°C, short-term up to +125°C |

Note

Photographs and graphics are not to scale and do not represent detailed images of the respective products.
Prices are net prices without VAT and surcharges. Sale to business customers only.

EPIC® H-A 32 SGR

| Article number | Article description | M | PG | Neck |
|---|---------------------|----|----|------|
| H-A housing: surface-mount base (1 cable entry, double lever) | | | | |
| 10474000 | H-A 32 SGR 21 | - | 21 | yes |
| 10474100 | H-A 32 SGR 29 | - | 29 | yes |
| 19474000 | H-A 32 SGR M25 | 25 | - | yes |
| 19474100 | H-A 32 SGR M32 | 32 | - | yes |

Last Update (23.04.2024)

©2024 Lapp Group - Technical changes reserved

Product Management www.lappkabel.de

You can find the current technical data in the corresponding data sheet.

PN 0456 / 02_03_16