


22262014	DATA SHEET	
Valid from: 12.09.2019	AB-C4-M12MST-M20-PO	

Description

M12 Power connector, male, flush-type, 4-pos.,
T-coded, front / screw mounting with M20 thread,
can be positioned



Common values

M12 coding	T Power
Latching mechanism	Screwed
Cable outlet	8 - 10 mm
Wire gauge (mm)	0,75 - 1,50 mm ²
Wire gauge (AWG)	18 - 16
Upper temperature	+ 85 °C
Lower temperature	- 40 °C
Material of contact	CuZn
Material of contact surface	Au
Material of contact body	PA
Material of housing	PA
Material of cable seal	NBR
Locking torque	0,6 Nm (M12-knurl) 1 Nm ... 1,4 Nm (screw down nut with sleeve housing) 0,6 Nm (connector module with sleeve housing) 0,4 Nm (screw terminal)

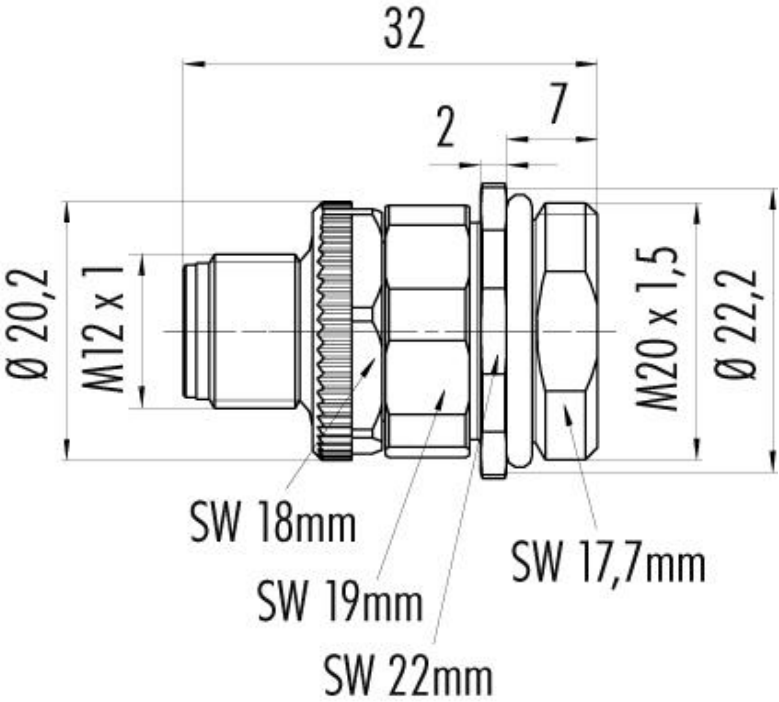
Electrical values

Rated voltage	60 V
Rated impulse voltage	1500 V
Pollution degree	3
Overvoltage category	III
Material group	III
Rated current (40°C)	12 A
Contact resistance	≤ 3 mΩ
Degree of protection	IP 67
Mechanical operation	>100 mating cycles

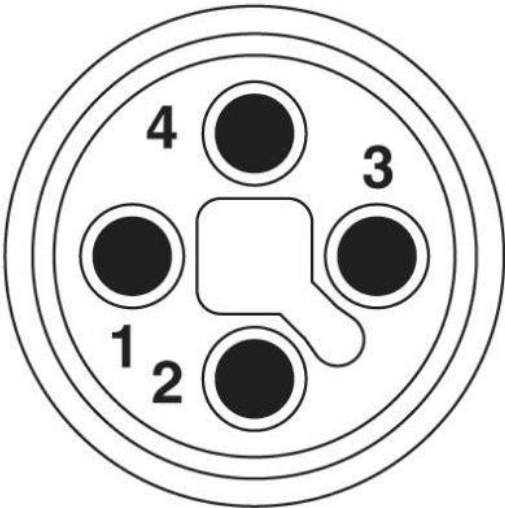
Creator: MOKO2/PDP Released: IVSE1/PDP	Document: DB22262014EN Version: 02	Page 1 of 3
---	---------------------------------------	-------------

22262014	DATA SHEET	
Valid from: 12.09.2019	AB-C4-M12MST-M20-PO	

Technical drawings and dimensions




Pole arrangement

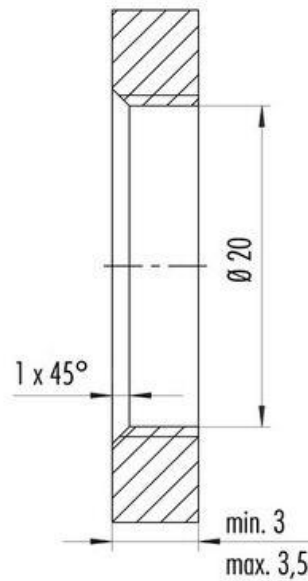
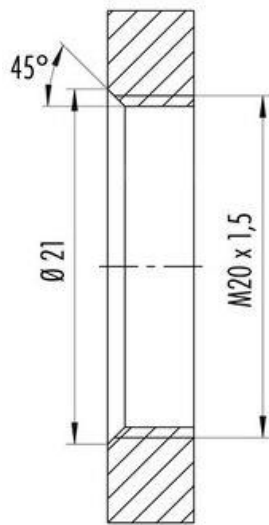


Front view - male side

We reserve all rights according to DIN ISO 16016.
PD 0019/05_04.18EN

22262014	DATA SHEET	
Valid from: 12.09.2019	AB-C4-M12MST-M20-PO	

Mounting



Anzugsdrehmoment/Tightening moment
M20 x 1,5 5 Nm

Note

Applicable hex nut Lapp 5210 3020 SKINDICHT SM-M-20x105

Application range

Automation, industrial machinery and plant engineering

Note

Photographs are not true to scale and do not represent detailed images of the respective products.

Creator: MOKO2/PDP Released: IVSE1/PDP	Document: DB22262014EN Version: 02	Page 3 of 3
---	---------------------------------------	-------------