


44420071	DATA SHEET	
Valid from: 28.07.2021	EPIC[®] SIGNAL M23 G6 N	

Description

- Circular connectors for servo cables and encoders
- Fast and easy assembly
- Only one M25 bore hole necessary



General characteristics

Series	SIGNAL M23
Version	panel-mount box, rear wall mounting
Protection rating	IP 68 (10 h / 1 m)
Temperature range	-25 °C to +125 °C

Product variations

Article number	Coding	Fastening type	PU
44420071	black (N)	M25x1,5 (with nut)	5
44420073	black (N)	M25x1,5 (with nut)	20

Materials and surfaces

Housing	Nickel plated zinc die-casting
Sealing	FPM

Approvals

VDE-Approval, VDE-REG.-Nr.	C024
UL File Number	E249137

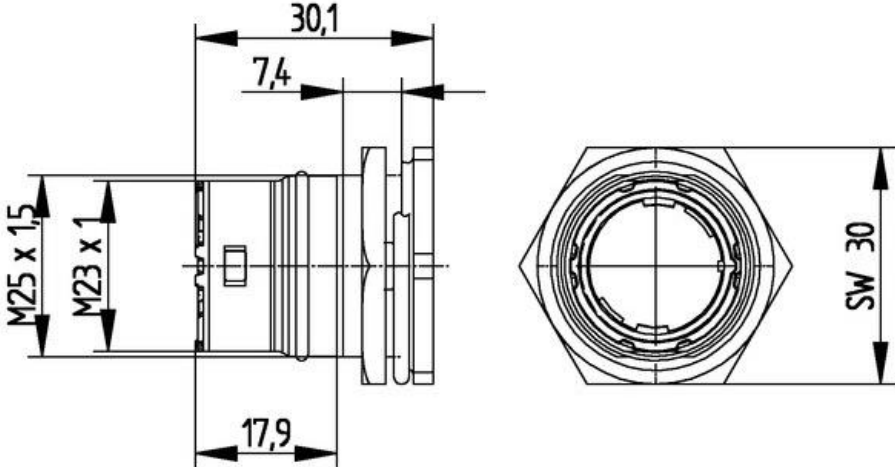
Standard

Safety Standard	IEC 61984; UL2238; CSA 22.2 182.3
-----------------	-----------------------------------

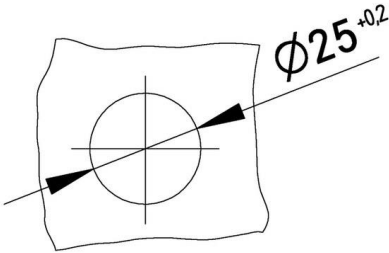
Creator: MANA2/PDP Released: IVSE1/PDP	Document: DB44420071EN Version: 03	Page 1 of 3
---	---------------------------------------	-------------

44420071	DATA SHEET	
Valid from: 28.07.2021	EPIC [®] SIGNAL M23 G6 N	

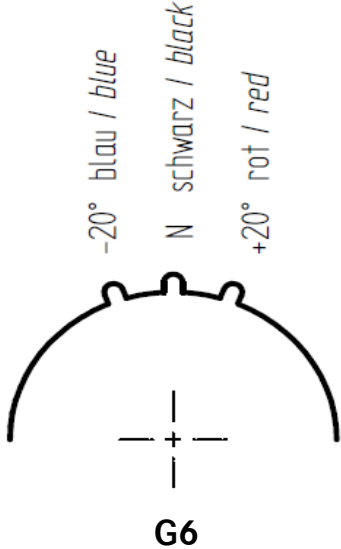
Drawings



Bohrbild




Codierung



Ansicht steckseitig
view from mating side

Creator: MANA2/PDP Released: IVSE1/PDP	Document: DB44420071EN Version: 03	Page 2 of 3
---	---------------------------------------	-------------

44420071	DATA SHEET	
Valid from: 28.07.2021	EPIC[®] SIGNAL M23 G6 N	



Good chemical resistance



Industrial machinery and plant engineering



Robust



Wind energy

Application range

Plant engineering
 Servo drives and Servo assemblies
 Measurement and control technology

Remark

Photographs are not to scale and do not represent detailed images of the respective products.

Creator: MANA2/PDP Released: IVSE1/PDP	Document: DB44420071EN Version: 03	Page 3 of 3
---	---------------------------------------	-------------