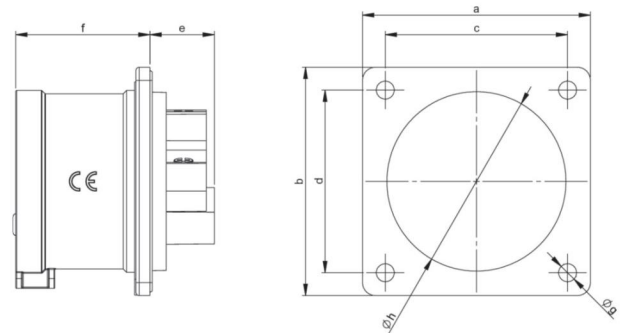


| | |
|------------------------|---|
| article# | 613-6x |
| article description | CEE-flanged plug 70x70 straight 16A 3p 6h IP44 black |
| description long | CEE-flanged plug 70x70 straight 16A 3p 6h IP44 black housing material: PA6 rated current: 16A number of poles: 3 (2P+PE) clock-position: 6h rated voltage/frequency: 200-250V~ / 50+60Hz contacts: brass connection technology: screw terminals dimensions (flange/fixing center): 70x70 mm / 56x56 mm IP protection class: IP44 |
| GTIN (EAN) | 9003399615726 |
| country of origin | AT |
| customs number | 85366990 |
| net weight | 0.086 kg |
| packaging quantity | 10 |
| minimum order quantity | 10 |

| | |
|---------------------------------|-----------------------|
| ETIM 9.0 | EC001319 |
| IEC-amperage | 16 A |
| Voltage according to EN 60309-2 | 230 V (50+60 Hz) blue |
| Number of poles | 3 |
| Clock hour position | 6 h |
| Identification colour | Blue |
| Degree of protection (IP) | IP44 |
| Connection system | Screwed terminal |
| Construction type | Built-up device plug |
| Angle of plug | Straight |
| Material | Plastic |
| Contact material | CuZn |
| Surface treatment contacts | Untreated |

| | |
|------------------------|-----------------------|
| a | 70 mm |
| b | 70 mm |
| c | 56 mm |
| d | 56 mm |
| e | 21 mm |
| f | 42 mm |
| g | 5,5 mm |
| h | 43 mm |
| wire flexible | 1-2,5 mm ² |
| wire solid | 1-4 mm ² |
| contact screws | 100 Ncm |
| dismantling length | 50 mm |
| stripping length | 10-12 mm |
| ambient temperature | -25 – 40 °C |
| temperature resistance | -25 – 80 °C |
| IK-code *) | IK10 |



<https://www.pcelectric.at/shop/en/?func=detail&artnr=613-6x>



*) The IK-test is not part of the IEC 60309 standard for industrial plugs and socket-outlets or the IEC 60884 standard for household plugs and socket-outlets. PC Electric GmbH has therefore tested the IK-codes of these products in accordance with IEC 62262 and according to the test method of IEC 60068-2-75 Ehc, with conditioning for 48 hours at 40°C and a relative humidity of 95%.