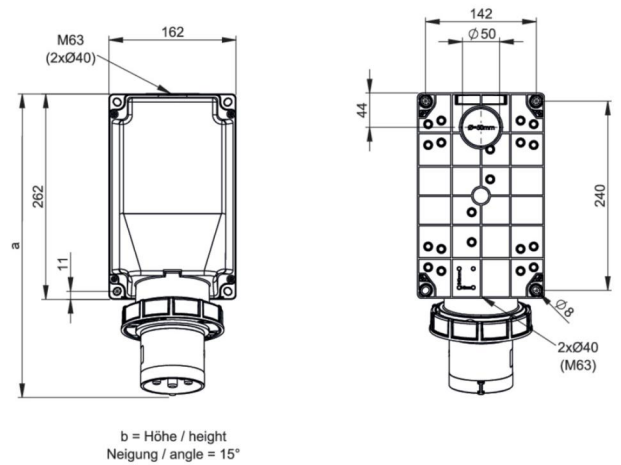


article#	545-6
article description	CEE-wall mounted plug 125A 5p 6h IP67 POWER TWIST
description long	CEE-wall mounted plug 125A5p 6h IP67 POWER TWIST housing material: PC/ABS rated current: 125A number of poles: 5 (3P+N+PE) clock-position: 6h rated voltage/frequency: 200/346V~ - 240/415V~ / 50+60Hz contacts: brass nickel plated, with pilot pin connection technology: frame terminals with screws IP protection class: IP66/IP67
GTIN (EAN)	9003399068157
country of origin	AT
customs number	85366990
net weight	1.834 kg
packaging quantity	1
minimum order quantity	1

ETIM 9.0	EC001319
IEC-amperage	125 A
Voltage according to EN 60309-2	400 V (50+60 Hz) red
Number of poles	5
Clock hour position	6 h
Identification colour	Red
Degree of protection (IP)	IP67
Connection system	Screwed terminal
Construction type	Surface mounted device plug
Angle of plug	Angled
Material	Plastic
Contact material	CuZn
Surface treatment contacts	Nickel-plated

a	387 mm
b	209 mm
wire flexible	16-50 mm ²
wire solid	16-70 mm ²
contact screws	450 Ncm
housing screws	200 Ncm
connecting screws	200 Ncm
dismantling length	100 mm
stripping length	24-27 mm
ambient temperature	-25 – 40 °C
temperature resistance	-25 – 80 °C
IK-code *)	IK09



<https://www.pcelectric.at/shop/en/?func=detail&artnr=545-6>



*) The IK-test is not part of the IEC 60309 standard for industrial plugs and socket-outlets or the IEC 60884 standard for household plugs and socket-outlets. PC Electric GmbH has therefore tested the IK-codes of these products in accordance with IEC 62262 and according to the test method of IEC 60068-2-75 Ehc, with conditioning for 48 hours at 40°C and a relative humidity of 95%.