

ioThinX 4530 Series

Advanced modular controller with built-in serial port

Preliminary



Features and Benefits

- -40 to 75°C wide operating temperature model available
- Supports TPM v2.0 (optional)
- Easy tool-free installation and removal
- Moxa Industrial Linux with secure boot function
- Supports up to 64 I/O modules
- Built-in Azure/AWS/Alibaba Cloud library

Certifications

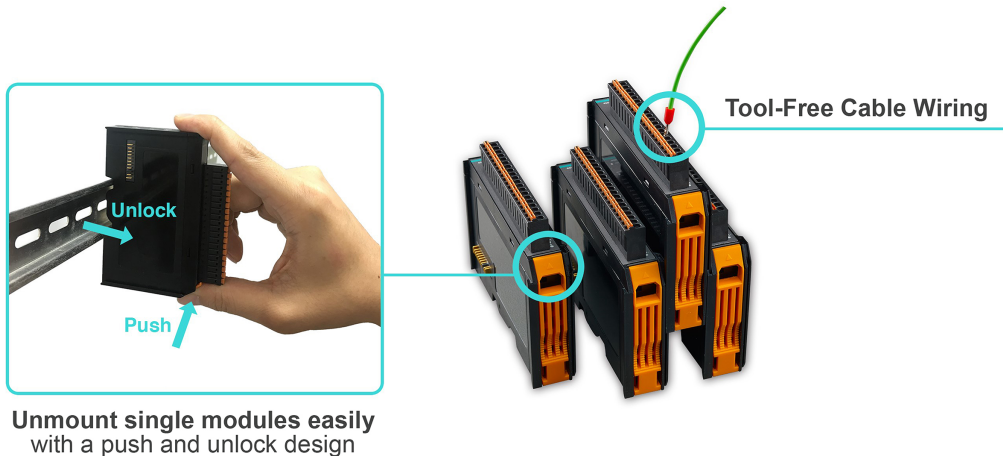


Introduction

The ioThinX 4530 Series is an advanced modular controller product with a unique hardware design, making it an ideal solution for a variety of industrial data acquisition applications. The ioThinX 4530 Series has a unique mechanical design that reduces the amount of time required for installation and removal, simplifying deployment and maintenance. In addition, the ioThinX 4530 Series supports Moxa Industrial Linux and a built-in Azure/AWS/Alibaba cloud SDK so that users can easily save field data to different cloud accounts.

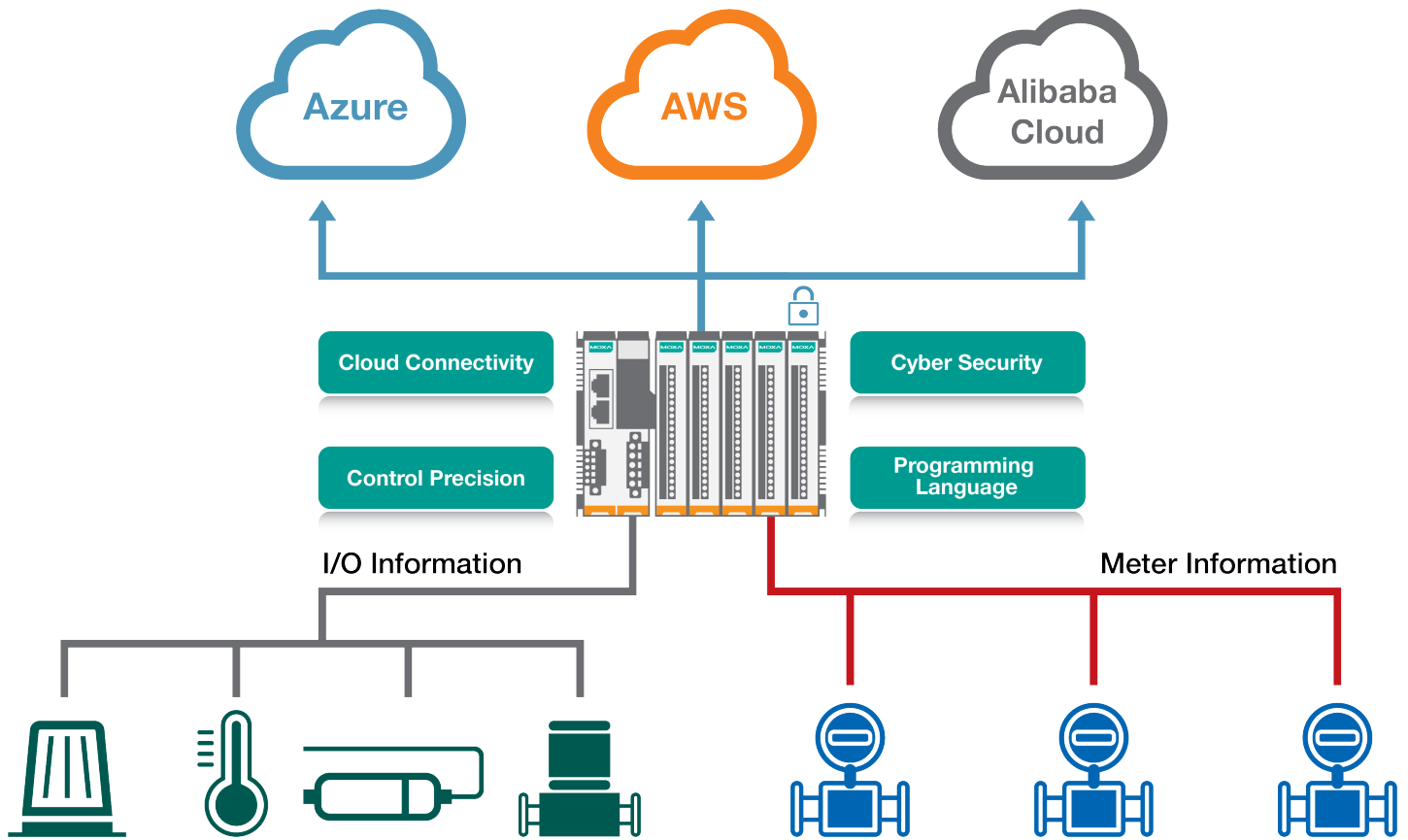
Easy Tool-Free Installation and Removal

The ioThinX 4500 Series has a unique mechanical design that reduces the amount of time required for installation and removal. In fact, screwdrivers and other tools are not required for any part of the hardware installation, including mounting the device on a DIN-rail, as well as connecting the wiring for both communication and I/O signal acquisition. Furthermore, no tools are required to remove the ioThinX from a DIN-rail. Removing all of the modules from a DIN-rail is also easy using the latch and release tab.



Built-in Azure/AWS/Alibaba Cloud Library

Saving field site data to the cloud to improve Overall Equipment Effectiveness (OEE) or implement predictive maintenance is an important aspect of IIoT or Industry 4.0 applications. To help users to connect to the cloud more easily, the ioThinX 4530 series has Azure/AWS/Alibaba cloud SDKs built in, saving engineers a lot of time on developing cloud connectivity applications.



Specifications

Computer

CPU	NXP i.MX7D 1 GHz
OS	Linux kernel 4.4 (CIP, PREEMPT_RT), Debian 9
Clock	Real-time clock with capacitor backup
DRAM	512 MB DDR3
MRAM	128 kB
Storage Pre-installed	8 GB eMMC (6 GB reserved for the user)
Storage Slot	microSD Slots x 1 (up to 32 GB)
Expansion Slots	Up to 64

Control Logic

Language	C/C++, Python
----------	---------------

Computer Interface

Buttons	Reset button
---------	--------------

Input/Output Interface

Rotary Switch	0 to 9
---------------	--------

Ethernet Interface

10/100BaseT(X) Ports (RJ45 connector)	Auto negotiation speed
Magnetic Isolation Protection	1.5 kV (built-in)

Serial Interface

Console Port	RS-232 (TxD, RxD, GND), 3-pin (115200, n, 8, 1)
No. of Ports	1 x RS-232/422 or 2 x RS-485-2w
Connector	Spring-type Euroblock terminal
Serial Standards	R2-232/422/485 (software selectable)
Baudrate	1200 bps to 115.2 kbps
Flow Control	RTS/CTS
Parity	None, Even, Odd
Stop Bits	1, 2
Data Bits	7, 8

Serial Signals

RS-232	TxD, RxD, RTS, CTS, GND
RS-422	Tx+, Tx-, Rx+, Rx-, GND
RS-485-2w	Data+, Data-, GND

System Power Parameters

Power Connector	Spring-type Euroblock terminal
No. of Power Inputs	1
Input Voltage	12 to 48 VDC
Power Consumption	1940 mA @ 12 VDC
Over-Current Protection	1 A @ 25°C
Over-Voltage Protection	55 VDC
Output Current	1 A (max.)

Field Power Parameters

Power Connector	Spring-type Euroblock terminal
No. of Power Inputs	1
Input Voltage	12/24 VDC
Over-Current Protection	2.5 A @ 25°C
Over-Voltage Protection	33 VDC
Output Current	2 A (max.)

Physical Characteristics

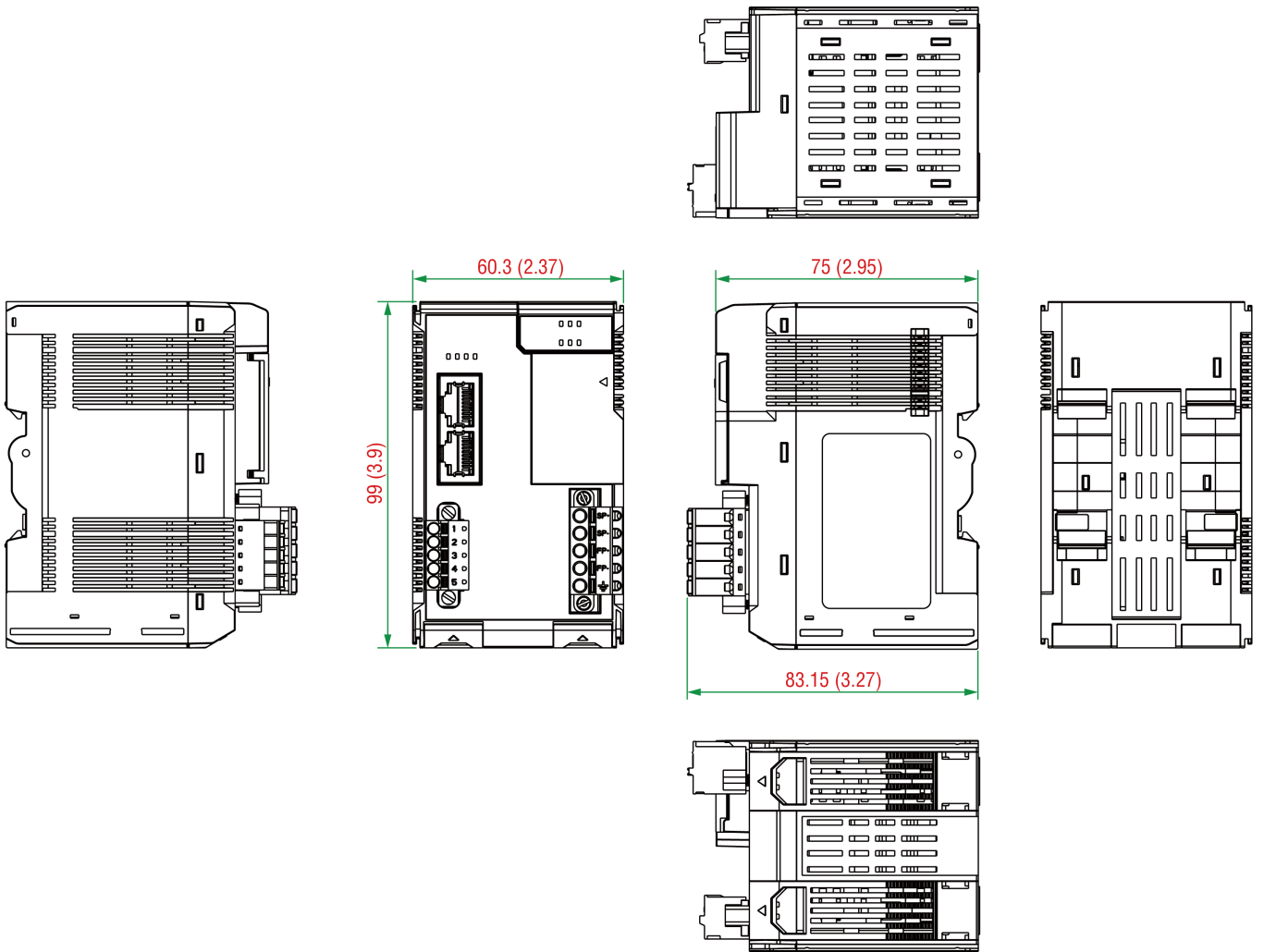
Wiring	Serial cable, 16 to 28 AWG Power cable, 12 to 26 AWG
Strip Length	Serial cable, 9 to 10 mm Power cable, 12 to 13 mm
Housing	Plastic
Dimensions	60.3 x 99 x 75 mm (2.37 x 3.9 x 2.96 in)

Weight	207.7 g (0.457 lb)
Installation	DIN-rail mounting
Standards and Certifications	
EMC	EN 55032/24
EMI	CISPR 32, FCC Part 15B Class A
EMS	IEC 61000-4-2 ESD: Contact: 4 kV; Air: 8 kV IEC 61000-4-3 RS: 80 MHz to 1000 MHz: 3 V/m IEC 61000-4-4 EFT: Power: 2 kV; Signal: 1 kV IEC 61000-4-5 Surge: Power: 2 kV; Signal: 1 kV IEC 61000-4-6 CS: 10 V IEC 61000-4-8 PFMF
Shock	IEC 60068-2-27
Vibration	IEC 60068-2-6
MTBF	
Standards	Telcordia SR332
Time	856,064 hrs
Environmental Limits	
Operating Temperature	ioThinx 4533-LX: -20 to 60°C (-4 to 140°F) ioThinx 4533-LX-T: -40 to 75°C (-40 to 167°F)
Storage Temperature (package included)	-40 to 85°C (-40 to 185°F)
Ambient Relative Humidity	5 to 95% (non-condensing)
Altitude	Up to 4000 m
Declaration	
Green Product	RoHS, CRoHS, WEEE
Warranty	
Details	See www.moxa.com/warranty
Warranty Period	5 years
Package Contents	
Cable	1 x 4-pin header to DB9 console port
Device	1 x ioThinx 4530 Series Controller
Installation Kit	1 x terminal block, 5-pin, 5.00 mm 1 x terminal block, 5-pin, 3.81 mm
Documentation	1 x warranty card 1 x quick installation guide

Dimensions

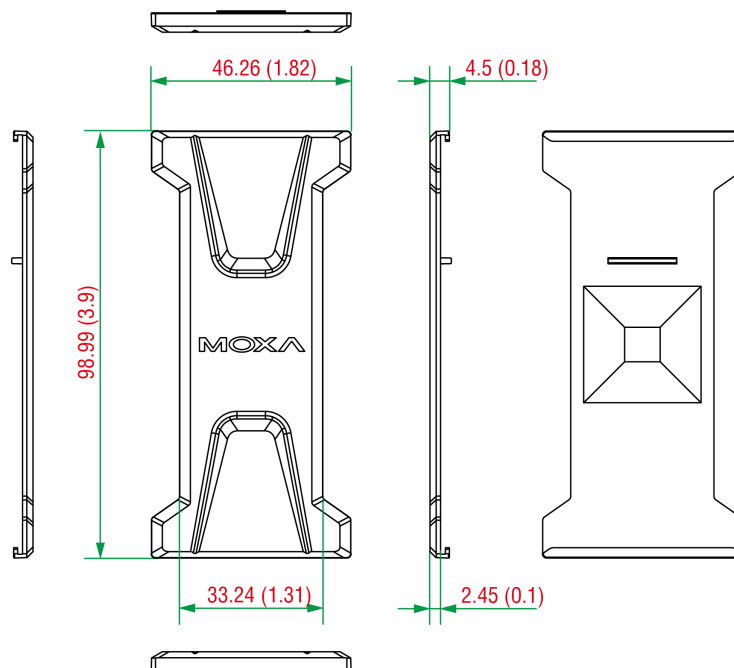
Top/Side/Bottom Panels

Unit: mm (inch)



Side Cover

Unit: mm (inch)



Ordering Information

Model Name	Language	Ethernet Interface	Serial Interface	No. of Support I/O Modules	Operating Temp.
ioThinX 4533-LX	C/C++, Python	2 x RJ45	RS-232/RS-422/RS-485	64	-20 to 60°C
ioThinX 4533-LX-T	C/C++, Python	2 x RJ45	RS-232/RS-422/RS-485	64	-40 to 75°C

Accessories (sold separately)

IO Modules

45MR-1600	Module for the ioThinX 4500 Series, 16 DIs, 24 VDC, PNP, -20 to 60°C operating temperature
45MR-1600-T	Module for the ioThinX 4500 Series, 16 DIs, 24 VDC, PNP, -40 to 75°C operating temperature
45MR-1601	Module for the ioThinX 4500 Series, 16 DIs, 24 VDC, NPN, -20 to 60°C operating temperature
45MR-1601-T	Module for the ioThinX 4500 Series, 16 DIs, 24 VDC, NPN, -40 to 75°C operating temperature
45MR-2600	Module for the ioThinX 4500 Series, 16 DOs, 24 VDC, sink, -20 to 60°C operating temperature
45MR-2600-T	Module for the ioThinX 4500 Series, 16 DOs, 24 VDC, sink, -40 to 75°C operating temperature
45MR-2601	Module for the ioThinX 4500 Series, 16 DOs, 24 VDC, source, -20 to 60°C operating temperature
45MR-2601-T	Module for the ioThinX 4500 Series, 16 DOs, 24 VDC, source, -40 to 75°C operating temperature
45MR-2606	Module for the ioThinX 4500 Series, 8 DIs, 24 VDC, PNP, 8 DOs, 24 VDC, source, -20 to 60°C operating temperature
45MR-2606-T	Module for the ioThinX 4500 Series, 8 DIs, 24 VDC, PNP, 8 DOs, 24 VDC, source, -40 to 75°C operating temperature
45MR-2404	Module for the ioThinX 4500 Series, 4 relays, form A, -20 to 60°C operating temperature
45MR-2404-T	Module for the ioThinX 4500 Series, 4 relays, form A, -40 to 75°C operating temperature
45MR-3800	Module for the ioThinX 4500 Series, 8 AIs, 0 to 20 mA/4 to 20 mA, -20 to 60°C operating temperature
45MR-3800-T	Module for the ioThinX 4500 Series, 8 AIs, 0 to 20 mA/4 to 20 mA, -40 to 75°C operating temperature
45MR-3810	Module for the ioThinX 4500 Series, 8 AIs, -10 to 10 V/0 to 10 V, -20 to 60°C operating temperature
45MR-3810-T	Module for the ioThinX 4500 Series, 8 AIs, -10 to 10 V/0 to 10 V, -40 to 75°C operating temperature
45MR-6600	Module for the ioThinX 4500 Series, 6 RTDs, -20 to 60°C operating temperature
45MR-6600-T	Module for the ioThinX 4500 Series, 6 RTDs, -40 to 75°C operating temperature
45MR-6810	Module for the ioThinX 4500 Series, 8 TCs, -20 to 60°C operating temperature
45MR-6810-T	Module for the ioThinX 4500 Series, 8 TCs, -40 to 75°C operating temperature

Power Modules

45MR-7820	Module for the ioThinX 4500 Series, potential distributor module, -20 to 60°C operating temperature
45MR-7820-T	Module for the ioThinX 4500 Series, potential distributor module, -40 to 75°C operating temperature

© Moxa Inc. All rights reserved. Updated Apr 29, 2019.

This document and any portion thereof may not be reproduced or used in any manner whatsoever without the express written permission of Moxa Inc. Product specifications subject to change without notice. Visit our website for the most up-to-date product information.